



# Documentation folder

Number **T11513-3**

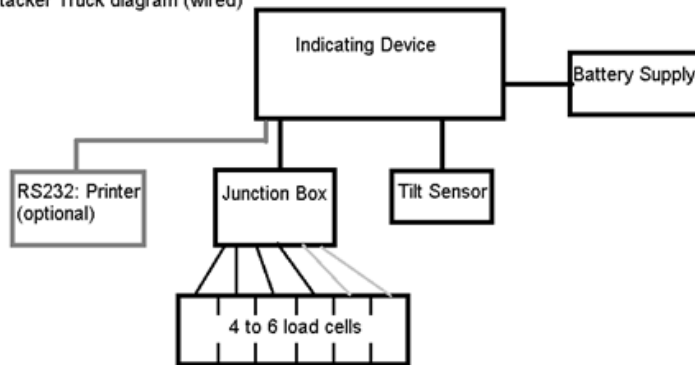
Project number 3720383

Page 1 of 1

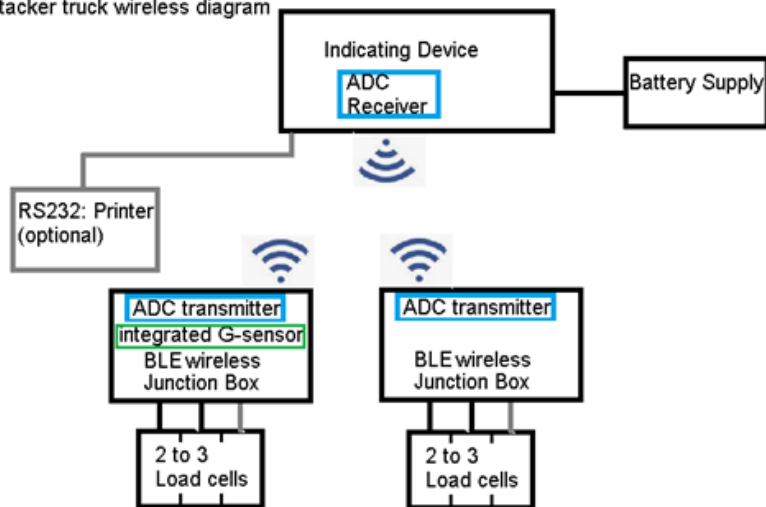
Number	Pages	Description	Remark
11513/0-01	1	Block diagram electrical stacker and electrical pallet truck	-
11513/0-02	1	Construction electrical pallet truck	-
11513/0-03	1	Construction electrical stacker	-
11513/3-01	1	Alternative fork construction for dual scale	-
11513/1-01	1	Tilt switch RELS-001	-
11513/1-02	1	Tilt switch CS-001	-

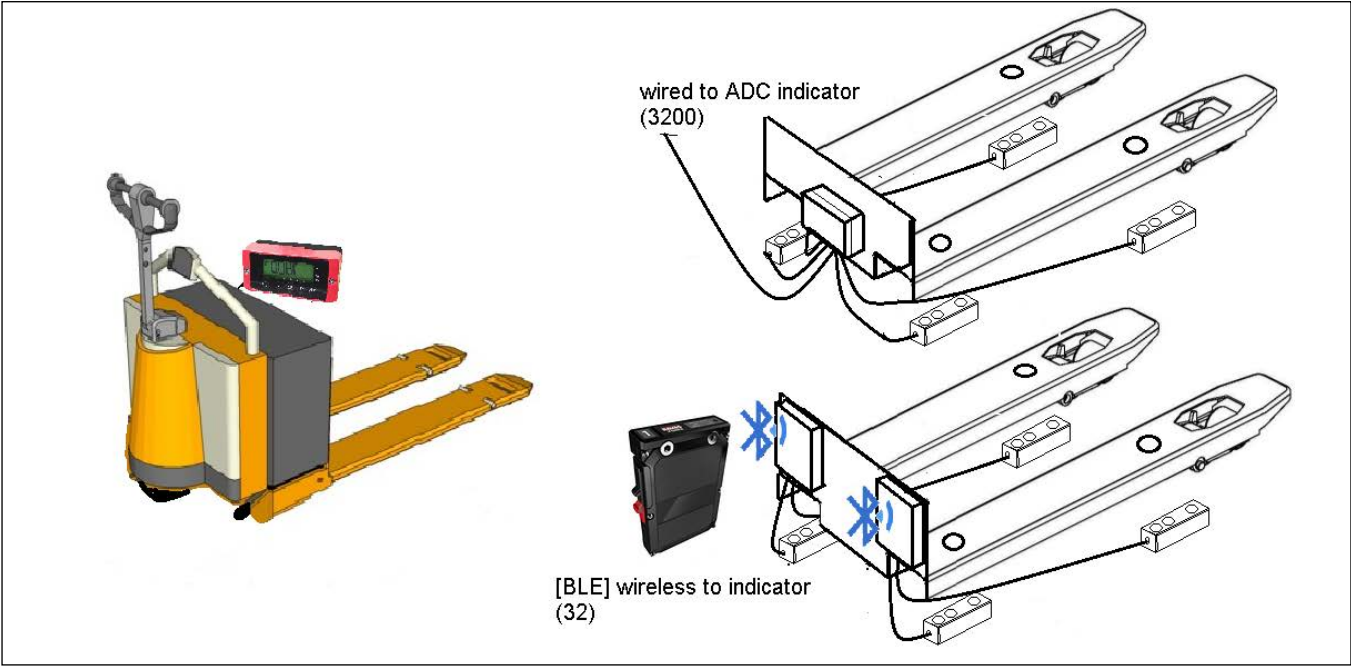


Electrical/Stacker Truck diagram (wired)



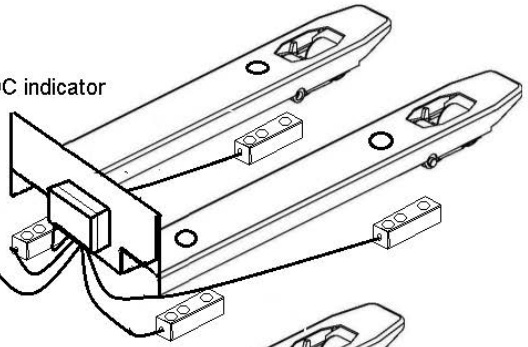
Electrical/Stacker truck wireless diagram



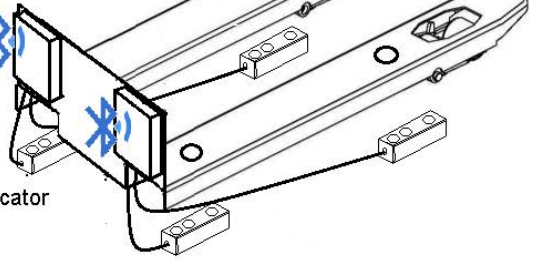




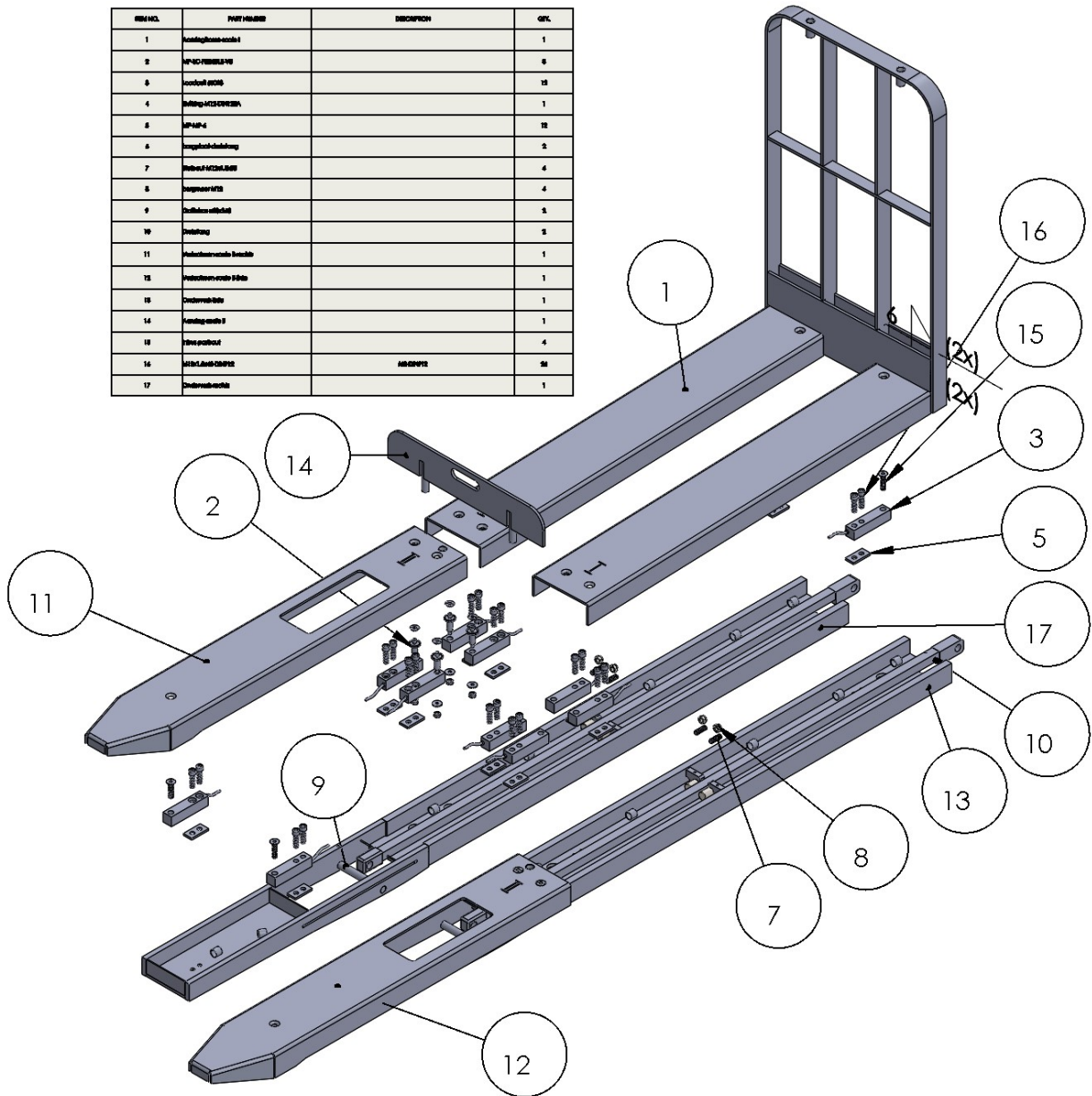
wired to ADC indicator  
(3200)



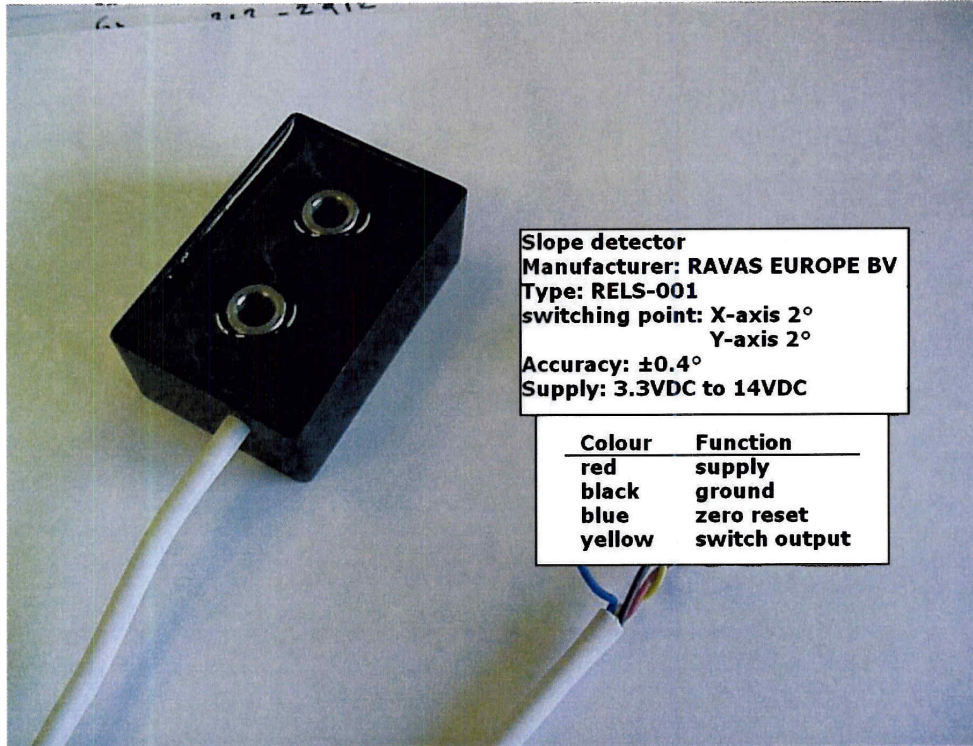
[BLE] wireless to indicator  
(32)



ITEM NO.	PART NUMBER	DESCRIPTION	QTY.
1	11513/3-001		1
2	11513/3-002		2
3	11513/3-003		2
4	11513/3-004		1
5	11513/3-005		2
6	11513/3-006		4
7	11513/3-007		4
8	11513/3-008		4
9	11513/3-009		2
10	11513/3-010		2
11	11513/3-011		1
12	11513/3-012		1
13	11513/3-013		1
14	11513/3-014		1
15	11513/3-015		1
16	11513/3-016		4
17	11513/3-017		1



**Electronic level switch 893142060**  
**Based on the mixed signal controller chip of Texas Instruments /**  
**MSP430F2111**



**Technical specifications:**

<b>Input supply:</b>	<b>3.3VDC to 14VDC</b>
<b>Interface:</b>	<b>logic output</b>
<b>Current consumption:</b>	<b>1.8mA</b>
<b>Operating temperature:</b>	<b>-10°C to +40°C</b>
<b>Storing temperature:</b>	<b>-20°C to +80°C</b>
<b>Accuracy:</b>	<b>±0.4°</b>
<b>Switching point:</b>	<b>X-axis 2° / Y-axis 2°</b>
<b>Switch function:</b>	<b>break</b>
<b>Zero adjust:</b>	<b>possible</b>
<b>Protocol:</b>	<b>RAVAS firmware</b>
<b>Hardware:</b>	<b>RoHS compliant</b>
<b>Protection:</b>	<b>Short-circuit proof</b>
<b>ATEX:</b>	<b>in development</b>
<b>OIML:</b>	<b>in development</b>
<b>EMC:</b>	<b>according to the guidelines</b>



## Correction Sensor, EP-LEVELSENSOR



### Technical specifications:

Input supply:	3.3VDC to 14VDC
Interface:	SPI
Output data:	Correction factor/Raw data X-Y
Current consumption:	1.8mA
Operating temperature:	-10°C to +40°C
Storing temperature:	-20°C to +80°C
Accuracy:	±0.3°
Switching point:	X-axis 3° / Y-axis 3° (OIML/NTEP)
Switch function:	break (software controlled)
Zero adjust:	possible
Protocol:	RAVAS firmware
Hardware:	RoHS compliant
Protection:	Short-circuit proof, IP65
ATEX:	pending
OIML/NTEP:	approved
EMC:	approved

