



Documentation folder

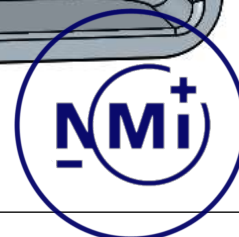
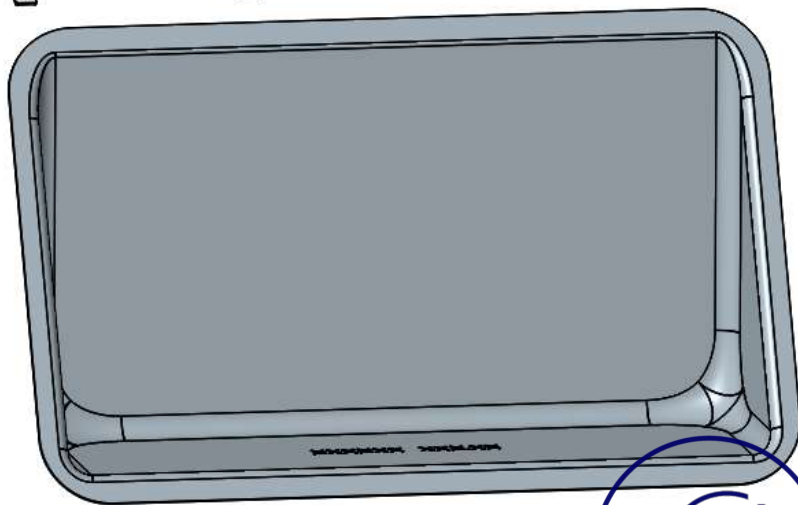
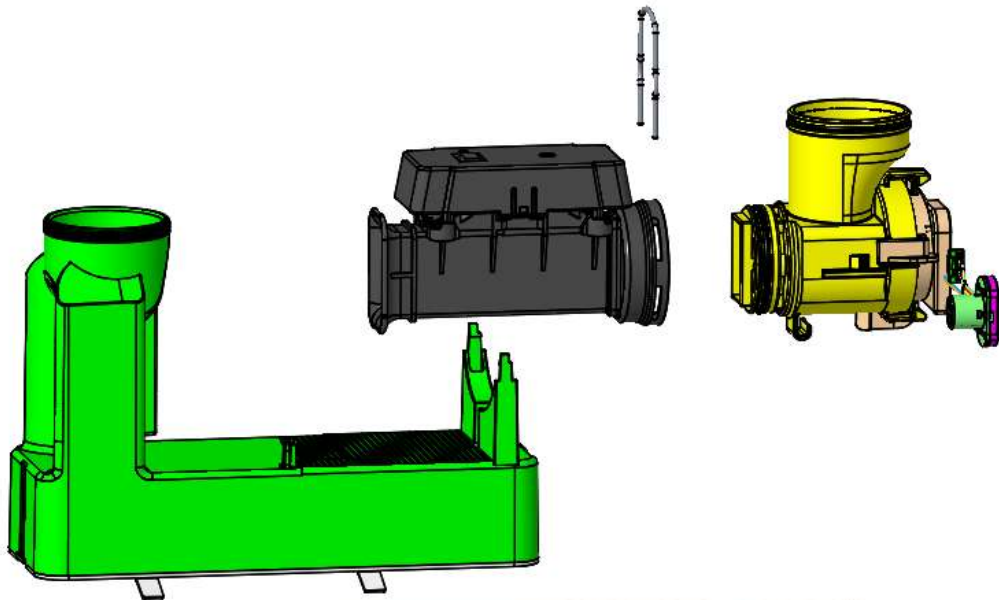
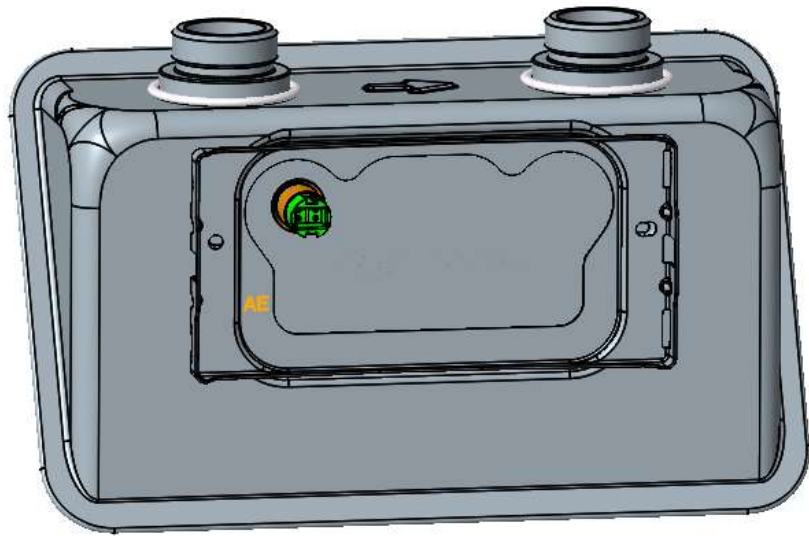
Number **T12136-3**

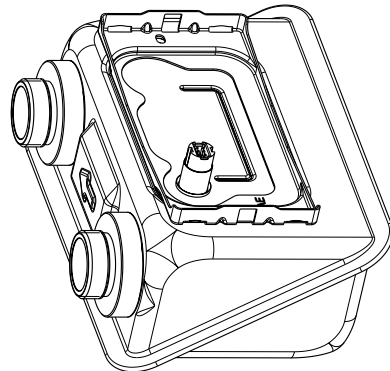
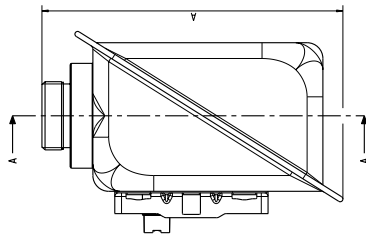
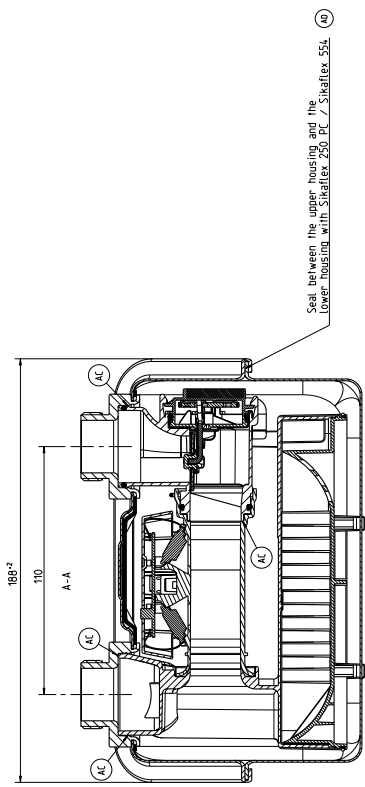
Project number 3624476

Page 1 of 1

Number	Pages	Description	Remark
12136/0-01	1	Housing - Assembly 110 mm	-
12136/2-01	1	- Assembly 110 mm	Sika 554 sealant
12136/0-02	1	- Assembly 152,4 mm	-
12136/2-02	1	- Assembly 152,4 mm	Sika 554 sealant
12136/0-03	2	- Casing	-
12136/0-04	1	- Index	-
12136/0-05	1	Type designations	Example
12136/0-06	1	Markings	Example
12136/0-07	2	Display	-
12136/0-08	2	Error codes	-
12136/0-09	1	Shut-off valve	-
12136/0-10	2	Brushcover	-
12136/0-11	1	Sensor - GB-F9TR6TV4A	-
12136/0-12	2	- Sensor printed circuit board	-
12136/0-13	4	MAIN printed circuit board: - A5008357-AB	-
12136/1-01	7	- A5008357-AE	-

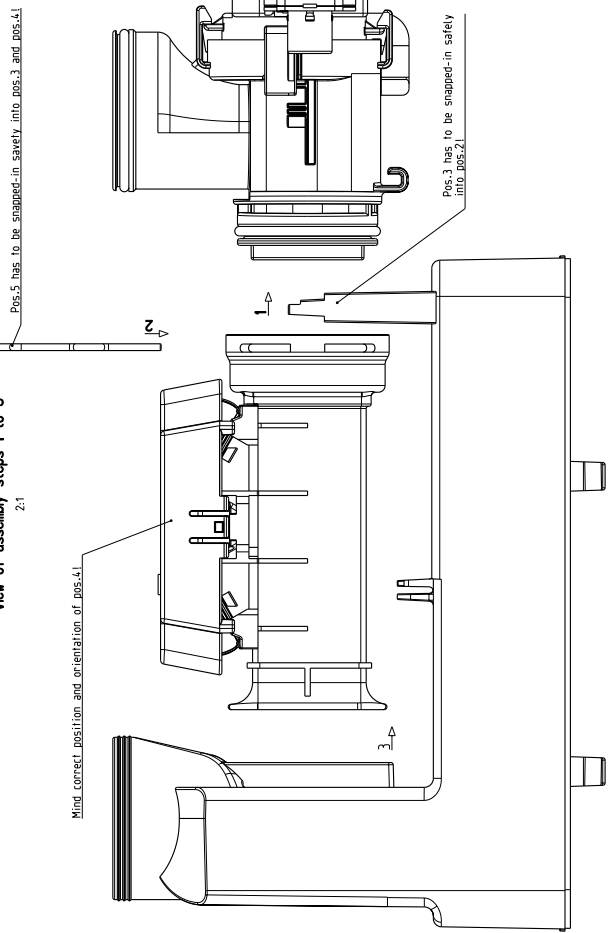




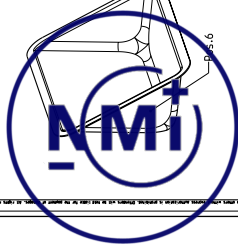
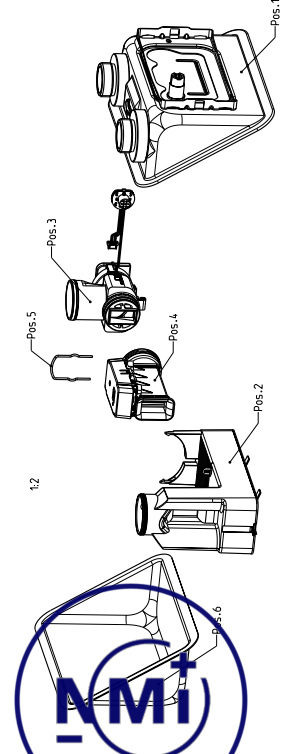


Drawn variant 168-056-00

View of assembly steps 1 to 3

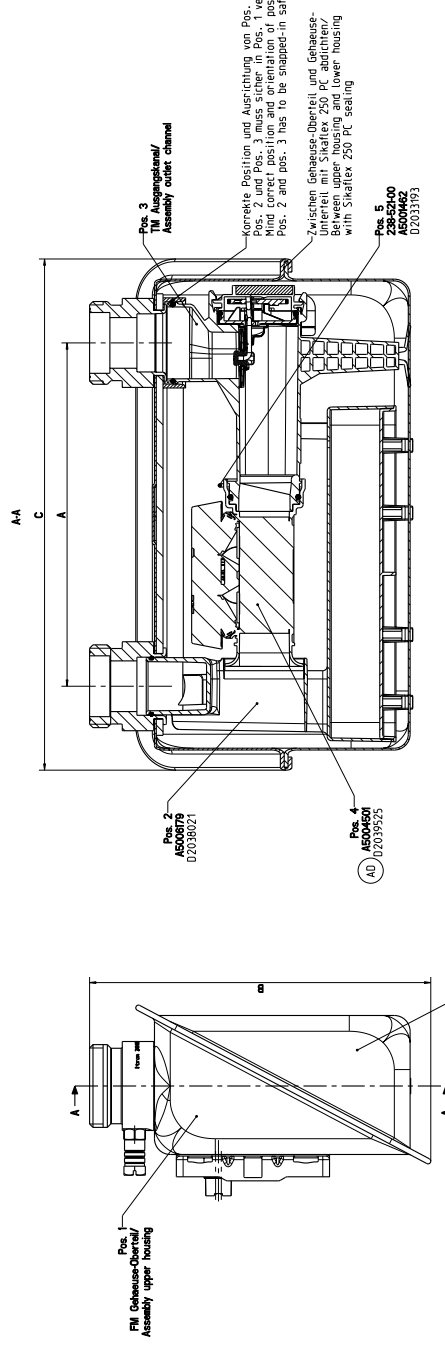


- Assembly process:**
- Step1:** Mount pos.4 on pos.3
 - Step2:** Mount pos.5 through pos.4 to fix position 4 on pos. 3
 - Step3:** Mount the assembly of pos.3, pos.4, and pos.5 on pos.2
 - Step4:** Put the connector to the feedthrough and put the cable into the cable clip.
 - Step5:** Press the assembly of pos.2, pos.3, pos.4 and pos.5 into pos.1
 - Step6:** Put Shailex 250 PC / Shailex 554 on pos.1
 - Step7:** Put pos.6 in pos.1
 - Step8:** Beat the bell of pos.1 with the machine.



168-1056-03 168-1049-03		27.02.23 (168007)		17.12.21 (168007)	
168-1056-02 168-1049-02		17.12.21 (168007)		17.12.21 (168007)	
168-1056-01 168-1049-01		17.12.21 (168007)		17.12.21 (168007)	
168-1056-00 168-1049-00		17.12.21 (168007)		17.12.21 (168007)	
EDV No.:		168-1056-00		168-1056-00	
Title		Static blanc meter 10mm		Static 008 - 04	
designed by		AD		Scale 1:1	
checked by		AD		Scale 1:1	
approved by		AD		Scale 1:1	
Date		17.12.21		Date	
Drawing No.		168-1056-00		Drawing No.	
Company name		NMI		Company name	
Part No.		168-1056-0X		Part No.	
Revision No.		008 - 04		Revision No.	
Drawing No.		168-1056-00		Drawing No.	
Scale		1:1		Scale	
Material		Steel		Material	
Drawing No.		168-1056-00		Drawing No.	
Revision No.		008 - 04		Revision No.	
Drawing No.		168-1056-00		Drawing No.	
Scale		1:1		Scale	
Material		Steel		Material	
Drawing No.		168-1056-00		Drawing No.	
Revision No.		008 - 04		Revision No.	
Drawing No.		168-1056-00		Drawing No.	

145.6	Static blanc meter 10mm/BS746 T	139.02	Static blanc meter 10mm/ST
137.02	Static blanc meter 10mm/ZIN25	133.52	Static blanc meter 10mm/ZIN20
Notes:			
A		(mm)	
Pos.6	lower housing		
Pos.5	Pin		
Pos.4	Measurement unit (0183)		
Pos.3	outher pipe assembly		
Pos.2	inlet pipe assembly		
Pos.1	upper housing assembly		



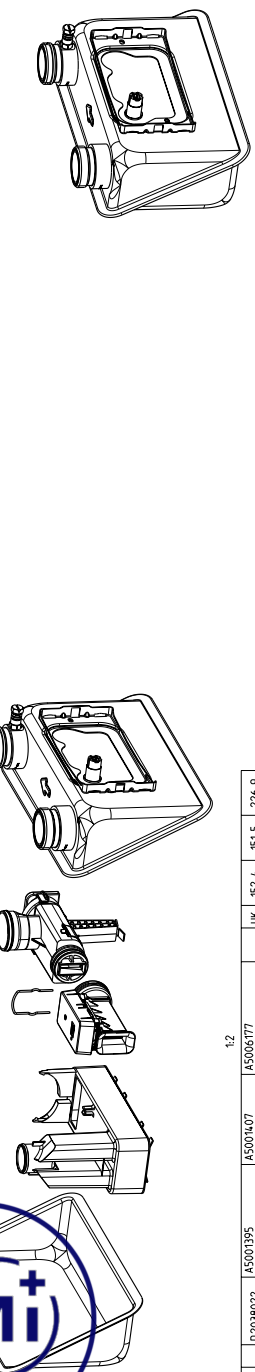
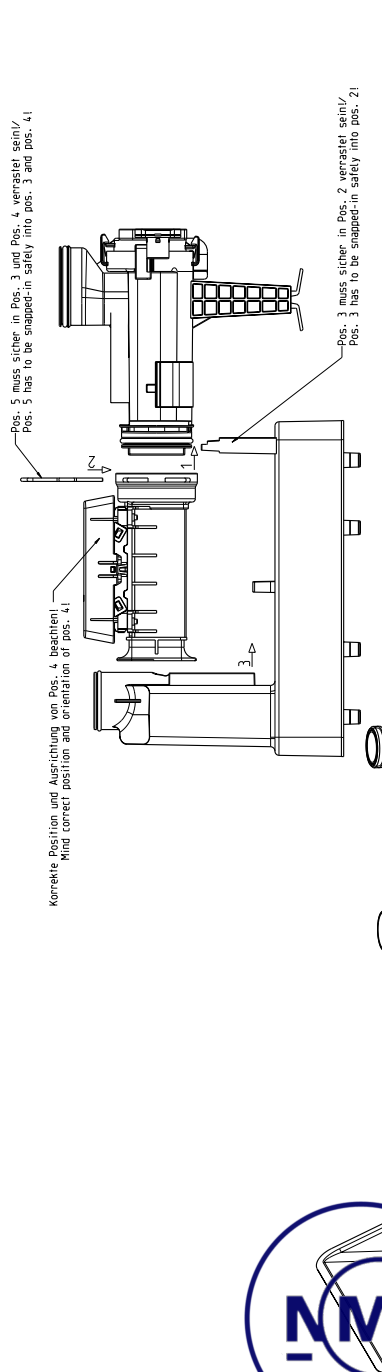
korrekte Position und Ausrichtung von Pos. 2 und Pos. 3 beachten!
 Pos. 2 und Pos. 3 muss sicher in Pos. 1 verrastet sein!
 Pos. 2 and pos. 3 has to be snapped-in safely into pos. 1

Zwischen Gehäuse-Oberteil und Gehäuse-Unterteil mit Sihallex 250 PC abdichten/
 Between upper housing and lower housing with Sihallex 250 PC sealing

Pos. 5 muss sicher in Pos. 3 und Pos. 4 verrastet sein!
 Pos. 5 has to be snapped-in safely into pos. 3 and pos. 4

korrekte Position und Ausrichtung von Pos. 4 beachten!
 Minor correct position and orientation of pos. 4!

Darstellung Montageschritte 1 bis 3 /
 view of assembly steps 1 to 3



Dargestellt ist/drawn variant
 1/2
 D2038022

SPC = Statistische Prozesskontrolle /
 statistik process control (pk x+1,33
 ○ = Prüfmass/check dimension

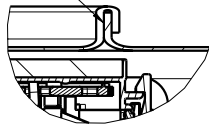
- Montageprozess/assembly process:**
- Schritt 1/step 1:**
 Pos. 4 auf Pos. 3 stecken/
 Mount pos. 4 on pos. 3
- Schritt 2/step 2:**
 Pos. 5 durch Pos. 4 stecken, um Pos. 4 an Pos. 3 zu befestigen/
 Put pos. 5 through pos. 4, to fix pos. 4 on pos. 3
- Schritt 3/step 3:**
 Baugruppe aus Pos. 3, Pos. 4 und Pos. 5 mit Pos. 2 zusammenführen/
 Mount the assembly of pos. 3, pos. 4 and pos. 5 on pos. 2
- Schritt 4/step 4:**
 Stecker auf Kapuldrulle stecken und Kabel in Kabelclipps verfahren/
 Put the connector to the feedthrough and put the cable into the cable clip
- Schritt 5/step 5:**
 Baugruppe aus Pos. 2, Pos. 3, Pos. 4 und Pos. 5 in Pos. 1 einpressen/
 Press the assembly of pos. 2, pos. 3, pos. 4 and pos. 5 into pos. 1
- Schritt 6/step 6:**
 Pos. 3 auf Pos. 1 auftragen/
 Put Sihallex 250 PC on pos. 1
- Schritt 7/step 7:**
 Maschine auf Pos. 1 anbringen/
 Put pos. 6 in pos. 1
- Schritt 8/step 8:**
 Pos. 2 in Pos. 1 Maschine umbelegen/
 Feed the belt of pos. 1 with the machine

12. FIDEKON 238.524.00 by A500462/2033193 (03.03.18) Edition Name 13. Change on Pos. 1, 2, 3, 4, 5, 6, 7, 8, 9, 10, 11, 12, 13, 14, 15, 16, 17, 18, 19, 20, 21, 22, 23, 24, 25, 26, 27, 28, 29, 30, 31, 32, 33, 34, 35, 36, 37, 38, 39, 40, 41, 42, 43, 44, 45, 46, 47, 48, 49, 50, 51, 52, 53, 54, 55, 56, 57, 58, 59, 60, 61, 62, 63, 64, 65, 66, 67, 68, 69, 70, 71, 72, 73, 74, 75, 76, 77, 78, 79, 80, 81, 82, 83, 84, 85, 86, 87, 88, 89, 90, 91, 92, 93, 94, 95, 96, 97, 98, 99, 100, 101, 102, 103, 104, 105, 106, 107, 108, 109, 110, 111, 112, 113, 114, 115, 116, 117, 118, 119, 120, 121, 122, 123, 124, 125, 126, 127, 128, 129, 130, 131, 132, 133, 134, 135, 136, 137, 138, 139, 140, 141, 142, 143, 144, 145, 146, 147, 148, 149, 150, 151, 152, 153, 154, 155, 156, 157, 158, 159, 160, 161, 162, 163, 164, 165, 166, 167, 168, 169, 170, 171, 172, 173, 174, 175, 176, 177, 178, 179, 180, 181, 182, 183, 184, 185, 186, 187, 188, 189, 190, 191, 192, 193, 194, 195, 196, 197, 198, 199, 200, 201, 202, 203, 204, 205, 206, 207, 208, 209, 210, 211, 212, 213, 214, 215, 216, 217, 218, 219, 220, 221, 222, 223, 224, 225, 226, 227, 228, 229, 230, 231, 232, 233, 234, 235, 236, 237, 238, 239, 240, 241, 242, 243, 244, 245, 246, 247, 248, 249, 250, 251, 252, 253, 254, 255, 256, 257, 258, 259, 260, 261, 262, 263, 264, 265, 266, 267, 268, 269, 270, 271, 272, 273, 274, 275, 276, 277, 278, 279, 280, 281, 282, 283, 284, 285, 286, 287, 288, 289, 290, 291, 292, 293, 294, 295, 296, 297, 298, 299, 300, 301, 302, 303, 304, 305, 306, 307, 308, 309, 310, 311, 312, 313, 314, 315, 316, 317, 318, 319, 320, 321, 322, 323, 324, 325, 326, 327, 328, 329, 330, 331, 332, 333, 334, 335, 336, 337, 338, 339, 340, 341, 342, 343, 344, 345, 346, 347, 348, 349, 350, 351, 352, 353, 354, 355, 356, 357, 358, 359, 360, 361, 362, 363, 364, 365, 366, 367, 368, 369, 370, 371, 372, 373, 374, 375, 376, 377, 378, 379, 380, 381, 382, 383, 384, 385, 386, 387, 388, 389, 390, 391, 392, 393, 394, 395, 396, 397, 398, 399, 400, 401, 402, 403, 404, 405, 406, 407, 408, 409, 410, 411, 412, 413, 414, 415, 416, 417, 418, 419, 420, 421, 422, 423, 424, 425, 426, 427, 428, 429, 430, 431, 432, 433, 434, 435, 436, 437, 438, 439, 440, 441, 442, 443, 444, 445, 446, 447, 448, 449, 450, 451, 452, 453, 454, 455, 456, 457, 458, 459, 460, 461, 462, 463, 464, 465, 466, 467, 468, 469, 470, 471, 472, 473, 474, 475, 476, 477, 478, 479, 480, 481, 482, 483, 484, 485, 486, 487, 488, 489, 490, 491, 492, 493, 494, 495, 496, 497, 498, 499, 500, 501, 502, 503, 504, 505, 506, 507, 508, 509, 510, 511, 512, 513, 514, 515, 516, 517, 518, 519, 520, 521, 522, 523, 524, 525, 526, 527, 528, 529, 530, 531, 532, 533, 534, 535, 536, 537, 538, 539, 540, 541, 542, 543, 544, 545, 546, 547, 548, 549, 550, 551, 552, 553, 554, 555, 556, 557, 558, 559, 560, 561, 562, 563, 564, 565, 566, 567, 568, 569, 570, 571, 572, 573, 574, 575, 576, 577, 578, 579, 580, 581, 582, 583, 584, 585, 586, 587, 588, 589, 590, 591, 592, 593, 594, 595, 596, 597, 598, 599, 600, 601, 602, 603, 604, 605, 606, 607, 608, 609, 610, 611, 612, 613, 614, 615, 616, 617, 618, 619, 620, 621, 622, 623, 624, 625, 626, 627, 628, 629, 630, 631, 632, 633, 634, 635, 636, 637, 638, 639, 640, 641, 642, 643, 644, 645, 646, 647, 648, 649, 650, 651, 652, 653, 654, 655, 656, 657, 658, 659, 660, 661, 662, 663, 664, 665, 666, 667, 668, 669, 670, 671, 672, 673, 674, 675, 676, 677, 678, 679, 680, 681, 682, 683, 684, 685, 686, 687, 688, 689, 690, 691, 692, 693, 694, 695, 696, 697, 698, 699, 700, 701, 702, 703, 704, 705, 706, 707, 708, 709, 710, 711, 712, 713, 714, 715, 716, 717, 718, 719, 720, 721, 722, 723, 724, 725, 726, 727, 728, 729, 730, 731, 732, 733, 734, 735, 736, 737, 738, 739, 740, 741, 742, 743, 744, 745, 746, 747, 748, 749, 750, 751, 752, 753, 754, 755, 756, 757, 758, 759, 760, 761, 762, 763, 764, 765, 766, 767, 768, 769, 770, 771, 772, 773, 774, 775, 776, 777, 778, 779, 780, 781, 782, 783, 784, 785, 786, 787, 788, 789, 790, 791, 792, 793, 794, 795, 796, 797, 798, 799, 800, 801, 802, 803, 804, 805, 806, 807, 808, 809, 810, 811, 812, 813, 814, 815, 816, 817, 818, 819, 820, 821, 822, 823, 824, 825, 826, 827, 828, 829, 830, 831, 832, 833, 834, 835, 836, 837, 838, 839, 840, 841, 842, 843, 844, 845, 846, 847, 848, 849, 850, 851, 852, 853, 854, 855, 856, 857, 858, 859, 860, 861, 862, 863, 864, 865, 866, 867, 868, 869, 870, 871, 872, 873, 874, 875, 876, 877, 878, 879, 880, 881, 882, 883, 884, 885, 886, 887, 888, 889, 890, 891, 892, 893, 894, 895, 896, 897, 898, 899, 900, 901, 902, 903, 904, 905, 906, 907, 908, 909, 910, 911, 912, 913, 914, 915, 916, 917, 918, 919, 920, 921, 922, 923, 924, 925, 926, 927, 928, 929, 930, 931, 932, 933, 934, 935, 936, 937, 938, 939, 940, 941, 942, 943, 944, 945, 946, 947, 948, 949, 950, 951, 952, 953, 954, 955, 956, 957, 958, 959, 960, 961, 962, 963, 964, 965, 966, 967, 968, 969, 970, 971, 972, 973, 974, 975, 976, 977, 978, 979, 980, 981, 982, 983, 984, 985, 986, 987, 988, 989, 990, 991, 992, 993, 994, 995, 996, 997, 998, 999, 1000		Pos. 1 Pos. 2 Pos. 3 Pos. 4 Pos. 5 Pos. 6 Pos. 7 Pos. 8 Pos. 9 Pos. 10 Pos. 11 Pos. 12 Pos. 13 Pos. 14 Pos. 15 Pos. 16 Pos. 17 Pos. 18 Pos. 19 Pos. 20 Pos. 21 Pos. 22 Pos. 23 Pos. 24 Pos. 25 Pos. 26 Pos. 27 Pos. 28 Pos. 29 Pos. 30 Pos. 31 Pos. 32 Pos. 33 Pos. 34 Pos. 35 Pos. 36 Pos. 37 Pos. 38 Pos. 39 Pos. 40 Pos. 41 Pos. 42 Pos. 43 Pos. 44 Pos. 45 Pos. 46 Pos. 47 Pos. 48 Pos. 49 Pos. 50 Pos. 51 Pos. 52 Pos. 53 Pos. 54 Pos. 55 Pos. 56 Pos. 57 Pos. 58 Pos. 59 Pos. 60 Pos. 61 Pos. 62 Pos. 63 Pos. 64 Pos. 65 Pos. 66 Pos. 67 Pos. 68 Pos. 69 Pos. 70 Pos. 71 Pos. 72 Pos. 73 Pos. 74 Pos. 75 Pos. 76 Pos. 77 Pos. 78 Pos. 79 Pos. 80 Pos. 81 Pos. 82 Pos. 83 Pos. 84 Pos. 85 Pos. 86 Pos. 87 Pos. 88 Pos. 89 Pos. 90 Pos. 91 Pos. 92 Pos. 93 Pos. 94 Pos. 95 Pos. 96 Pos. 97 Pos. 98 Pos. 99 Pos. 100 Pos. 101 Pos. 102 Pos. 103 Pos. 104 Pos. 105 Pos. 106 Pos. 107 Pos. 108 Pos. 109 Pos. 110 Pos. 111 Pos. 112 Pos. 113 Pos. 114 Pos. 115 Pos. 116 Pos. 117 Pos. 118 Pos. 119 Pos. 120 Pos. 121 Pos. 122 Pos. 123 Pos. 124 Pos. 125 Pos. 126 Pos. 127 Pos. 128 Pos. 129 Pos. 130 Pos. 131 Pos. 132 Pos. 133 Pos. 134 Pos. 135 Pos. 136 Pos. 137 Pos. 138 Pos. 139 Pos. 140 Pos. 141 Pos. 142 Pos. 143 Pos. 144 Pos. 145 Pos. 146 Pos. 147 Pos. 148 Pos. 149 Pos. 150 Pos. 151 Pos. 152 Pos. 153 Pos. 154 Pos. 155 Pos. 156 Pos. 157 Pos. 158 Pos. 159 Pos. 160 Pos. 161 Pos. 162 Pos. 163 Pos. 164 Pos. 165 Pos. 166 Pos. 167 Pos. 168 Pos. 169 Pos. 170 Pos. 171 Pos. 172 Pos. 173 Pos. 174 Pos. 175 Pos. 176 Pos. 177 Pos. 178 Pos. 179 Pos. 180 Pos. 181 Pos. 182 Pos. 183 Pos. 184 Pos. 185 Pos. 186 Pos. 187 Pos. 188 Pos. 189 Pos. 190 Pos. 191 Pos. 192 Pos. 193 Pos. 194 Pos. 195 Pos. 196 Pos. 197 Pos. 198 Pos. 199 Pos. 200 Pos. 201 Pos. 202 Pos. 203 Pos. 204 Pos. 205 Pos. 206 Pos. 207 Pos. 208 Pos. 209 Pos. 210 Pos. 211 Pos. 212 Pos. 213 Pos. 214 Pos. 215 Pos. 216 Pos. 217 Pos. 218 Pos. 219 Pos. 220 Pos. 221 Pos. 222 Pos. 223 Pos. 224 Pos. 225 Pos. 226 Pos. 227 Pos. 228 Pos. 229 Pos. 230 Pos. 231 Pos. 232 Pos. 233 Pos. 234 Pos. 235 Pos. 236 Pos. 237 Pos. 238 Pos. 239 Pos. 240 Pos. 241 Pos. 242 Pos. 243 Pos. 244 Pos. 245 Pos. 246 Pos. 247 Pos. 248 Pos. 249 Pos. 250 Pos. 251 Pos. 252 Pos. 253 Pos. 254 Pos. 255 Pos. 256 Pos. 257 Pos. 258 Pos. 259 Pos. 260 Pos. 261 Pos. 262 Pos. 263 Pos. 264 Pos. 265 Pos. 266 Pos. 267 Pos. 268 Pos. 269 Pos. 270 Pos. 271 Pos. 272 Pos. 273 Pos. 274 Pos. 275 Pos. 276 Pos. 277 Pos. 278 Pos. 279 Pos. 280 Pos. 281 Pos. 282 Pos. 283 Pos. 284 Pos. 285 Pos. 286 Pos. 287 Pos. 288 Pos. 289 Pos. 290 Pos. 291 Pos. 292 Pos. 293 Pos. 294 Pos. 295 Pos. 296 Pos. 297 Pos. 298 Pos. 299 Pos. 300 Pos. 301 Pos. 302 Pos. 303 Pos. 304 Pos. 305 Pos. 306 Pos. 307 Pos. 308 Pos. 309 Pos. 310 Pos. 311 Pos. 312 Pos. 313 Pos. 314 Pos. 315 Pos. 316 Pos. 317 Pos. 318 Pos. 319 Pos. 320 Pos. 321 Pos. 322 Pos. 323 Pos. 324 Pos. 325 Pos. 326 Pos. 327 Pos. 328 Pos. 329 Pos. 330 Pos. 331 Pos. 332 Pos. 333 Pos. 334 Pos. 335 Pos. 336 Pos. 337 Pos. 338 Pos. 339 Pos. 340 Pos. 341 Pos. 342 Pos. 343 Pos. 344 Pos. 345 Pos. 346 Pos. 347 Pos. 348 Pos. 349 Pos. 350 Pos. 351 Pos. 352 Pos. 353 Pos. 354 Pos. 355 Pos. 356 Pos. 357 Pos. 358 Pos. 359 Pos. 360 Pos. 361 Pos. 362 Pos. 363 Pos. 364 Pos. 365 Pos. 366 Pos. 367 Pos. 368 Pos. 369 Pos. 370 Pos. 371 Pos. 372 Pos. 373 Pos. 374 Pos. 375 Pos. 376 Pos. 377 Pos. 378 Pos. 379 Pos. 380 Pos. 381 Pos. 382 Pos. 383 Pos. 384 Pos. 385 Pos. 386 Pos. 387 Pos. 388 Pos. 389 Pos. 390 Pos. 391 Pos. 392 Pos. 393 Pos. 394 Pos. 395 Pos. 396 Pos. 397 Pos. 398 Pos. 399 Pos. 400 Pos. 401 Pos. 402 Pos. 403 Pos. 404 Pos. 405 Pos. 406 Pos. 407 Pos. 408 Pos. 409 Pos. 410 Pos. 411 Pos. 412 Pos. 413 Pos. 414 Pos. 415 Pos. 416 Pos. 417 Pos. 418 Pos. 419 Pos. 420 Pos. 421 Pos. 422 Pos. 423 Pos. 424 Pos. 425 Pos. 426 Pos. 427 Pos. 428 Pos. 429 Pos. 430 Pos. 431 Pos. 432 Pos. 433 Pos. 434 Pos. 435 Pos. 436 Pos. 437 Pos. 438 Pos. 439 Pos. 440 Pos. 441 Pos. 442 Pos. 443 Pos. 444 Pos. 445 Pos. 446 Pos. 447 Pos. 448 Pos. 449 Pos. 450 Pos. 451 Pos. 452 Pos. 453 Pos. 454 Pos. 455 Pos. 456 Pos. 457 Pos. 458 Pos. 459 Pos. 460 Pos. 461 Pos. 462 Pos. 463 Pos. 464 Pos. 465 Pos. 466 Pos. 467 Pos. 468 Pos. 469 Pos. 470 Pos. 471 Pos. 472 Pos. 473 Pos. 474 Pos. 475 Pos. 476 Pos. 477 Pos. 478 Pos. 479 Pos. 480 Pos. 481 Pos. 482 Pos. 483 Pos. 484 Pos. 485 Pos. 486 Pos. 487 Pos. 488 Pos. 489 Pos. 490 Pos. 491 Pos. 492 Pos. 493 Pos. 494 Pos. 495 Pos. 496 Pos. 497 Pos. 498 Pos. 499 Pos. 500 Pos. 501 Pos. 502 Pos. 503 Pos. 504 Pos. 505 Pos. 506 Pos. 507 Pos. 508 Pos. 509 Pos. 510 Pos. 511 Pos. 512 Pos. 513 Pos. 514 Pos. 515 Pos. 516 Pos. 517 Pos. 518 Pos. 519 Pos. 520 Pos. 521 Pos. 522 Pos. 523 Pos. 524 Pos. 525 Pos. 526 Pos. 527 Pos. 528 Pos. 529 Pos. 530 Pos. 531 Pos. 532 Pos. 533 Pos. 534 Pos. 535 Pos. 536 Pos. 537 Pos. 538 Pos. 539 Pos. 540 Pos. 541 Pos. 542 Pos. 543 Pos. 544 Pos. 545 Pos. 546 Pos. 547 Pos. 548 Pos. 549 Pos. 550 Pos. 551 Pos. 552 Pos. 553 Pos. 554 Pos. 555 Pos. 556 Pos. 557 Pos. 558 Pos. 559 Pos. 560 Pos. 561 Pos. 562 Pos. 563 Pos. 564 Pos. 565 Pos. 566 Pos. 567 Pos. 568 Pos. 569 Pos. 570 Pos. 571 Pos. 572 Pos. 573 Pos. 574 Pos. 575 Pos. 576 Pos. 577 Pos. 578 Pos. 579 Pos. 580 Pos. 581 Pos. 582 Pos. 583 Pos. 584 Pos. 585 Pos. 586 Pos. 587 Pos. 588 Pos. 589 Pos. 590 Pos. 591 Pos. 592 Pos. 593 Pos. 594 Pos. 595 Pos. 596 Pos. 597 Pos. 598 Pos. 599 Pos. 600 Pos. 601 Pos. 602 Pos. 603 Pos. 604 Pos. 605 Pos. 606 Pos. 607 Pos. 608 Pos. 609 Pos. 610 Pos. 611 Pos. 612 Pos. 61
---	--	---

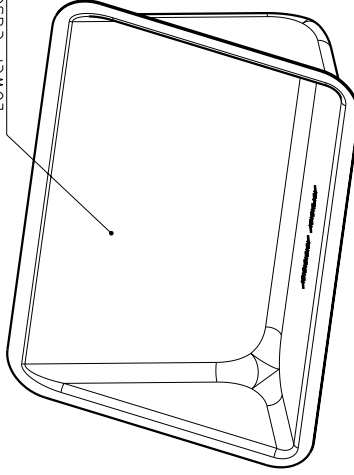
The production, distribution and utilization of this document is limited to the customer and authorized personnel only. All other uses are prohibited. The customer is responsible for the protection of this document. The customer is not allowed to copy, reproduce, disseminate or use this document for other purposes without the express authorization of the manufacturer. All rights reserved in the event of the grant of a patent, utility model or design (1/15/2019).

Meter variant number	Upper Case ASM	Inlet Pipe ASM	UMU	Metal Pin	Outlet Pipe ASM	Lower Case
168-1056-10	168-1049-10 D2040892	A5008833 D2042135	UMU3 182-1010-00	A5001462 D2033193 238-521-00	168-1043-00 D2038018	A5007148 D2039702
168-1056-11	168-1049-11		ESA-7100-002		168-1043-04	
168-1056-13	168-1049-12				168-1043-00 D2038018	

Seal between the upper housing and the lower housing with Sikaflex 250 PC / Sikaflex 554

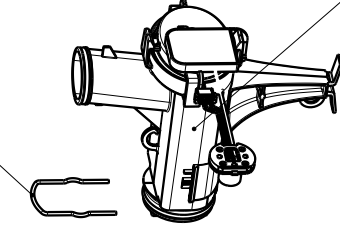


Lower Case

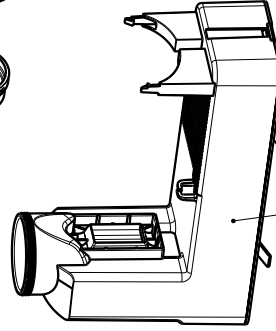


Outlet Pipe ASM

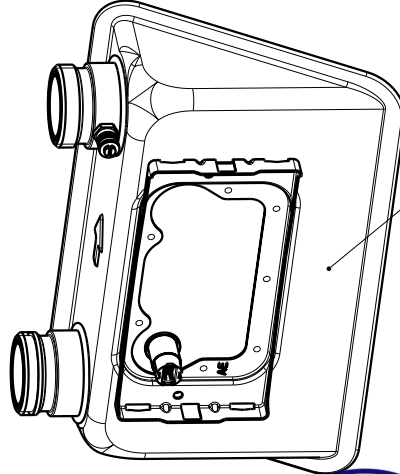
Metal Pin



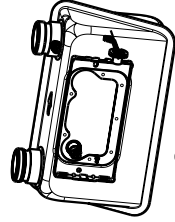
UMU



Inlet Pipe ASM

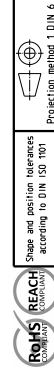


Upper Case ASM

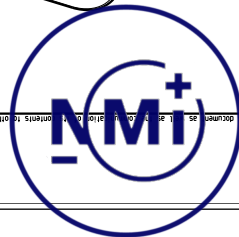


AB 1:5

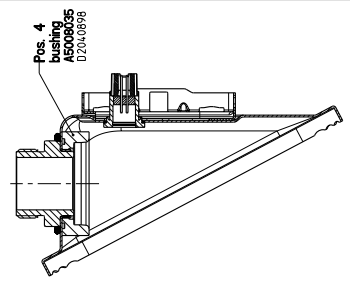
version 168-1056-10 is shown



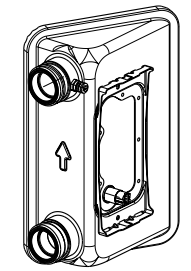
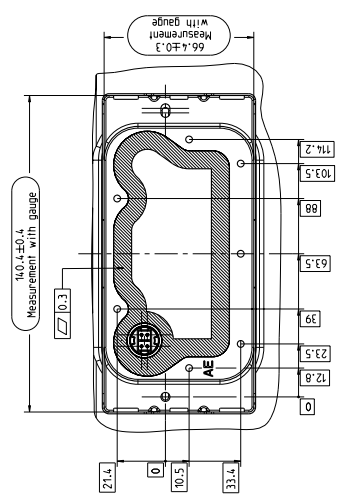
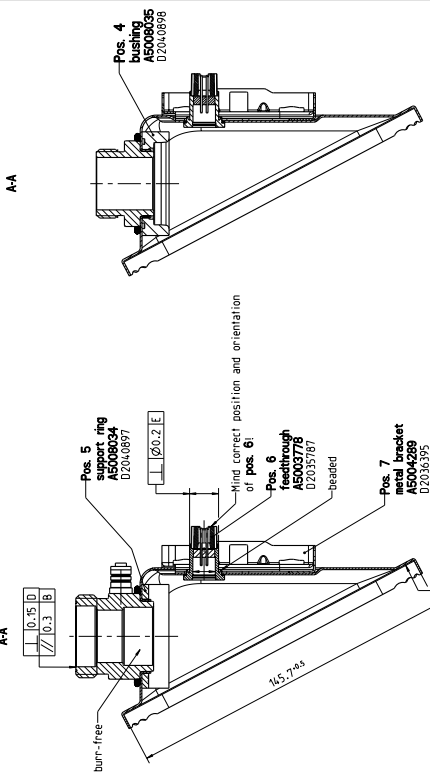
AD	new versions: 168-1056-12 - 168-1056-13; add. drawing: 106	13.03.23	U. Mayer	Material	
AC	new version: 168-1056-11 (drawing correction: correction of the numbers in table: correction of table)	21.03.22	U. Mayer	Material	
AB	type of change	23.11.21	E. Eisele	Material	
Change-No.	2021	Date	Name	Material	
designed by	1604	Allgemeintoleranzen gemäss: general tolerances in accordance with: DIN ISO 2768 - mk		Status	AD 3 Released
Title					
Static blanc meter				Scale	1:2 (1:5) AB
Static blanc meter				Type	Static G4 152.4mm
Copyright reserved ITRON inc. - CONFIDENTIAL				Part-No.:	168-1056-1X
				Replacement for:	
				Replaced by:	
				Page	1 / 1



Sectional view inter-Sheets 2 version
(see table line 3-4-5)
A-A



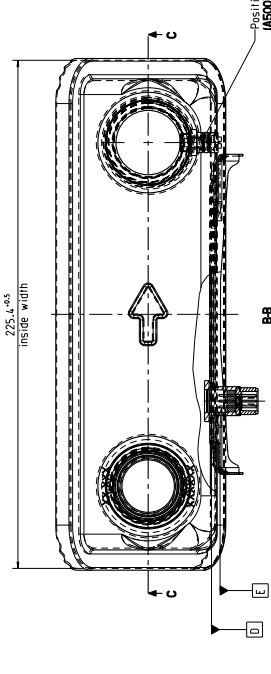
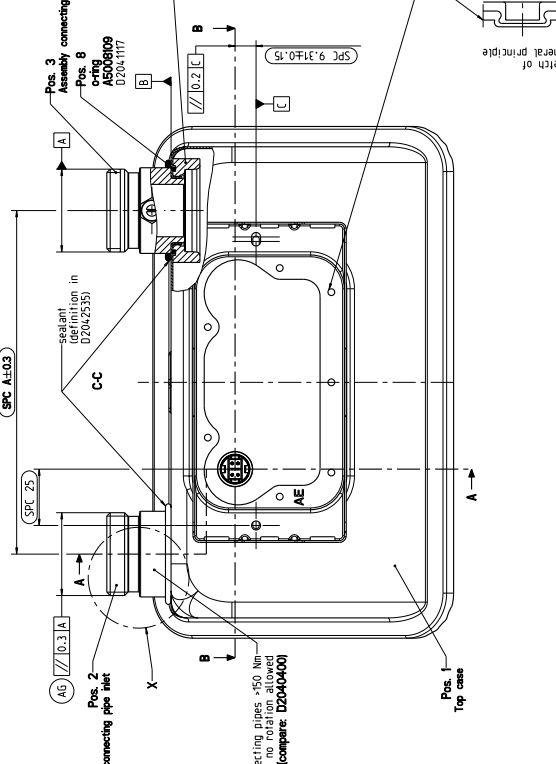
Sectional view inter-Sheets 2 version
(see table line 3-4)
A-A



1:2
Drawn
B000029

D2040892 Revision No. 2 Date 12.12.25 No. of Rev. 14 1:1 Part Number Drawn Checked Approved Drawn Checked Approved Drawn Checked Approved Drawn Checked Approved	Top Case ASM Part No. Revision No. Date No. of Rev.
Top Case ASM Part No. 0000000100 Revision No. 0000000100 Date 00.00.00 No. of Rev. 00.00.00	
Top Case ASM Part No. 0000000100 Revision No. 0000000100 Date 00.00.00 No. of Rev. 00.00.00	
Top Case ASM Part No. 0000000100 Revision No. 0000000100 Date 00.00.00 No. of Rev. 00.00.00	
Top Case ASM Part No. 0000000100 Revision No. 0000000100 Date 00.00.00 No. of Rev. 00.00.00	

Pos. 3 Assembly connecting pipe outlet
Pos. 6 A5008899 D2041117
Pos. 4 Pos. 4 bushing machined A5008895 D2040896
Cinch point (7x) sheet thickness after deformation min. 0.6 mm
Sketch of general principle

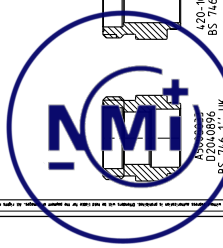


Pos.	Part No.	Thread	Type	A [mm]	C [mm]	D [mm]	Note
6	168-1049-10	1" UK	UK	152.4	26	44.6	SNETS2 VE / UMJ3
5	A5008895	G1"	GT	110.0	22.5	41.6	NGPP SR3 / UMJ3
4	A5008897	DN25	DN25	110.0	13.5	41.6	NGPP SR3 / UMJ3
3	A5008899	1" UK	UK	152.4	26	44.6	SNETS2 DRAFT / UMJ3
2	A5009044	1" UK	UK	152.4	26	44.6	SNETS2 / UMJ2
1	A5008896						

See technical drawings and test specifications
No. 245000000100
No. 245000000100
No. 245000000100
The verification / examination of the cleanliness shall be according to D2040400

Requirements to casing tightness:
- up to 750 mbar no external leakage
- up to 500 mbar no internal leakage
The fixation of the index bracket need to be tested acc. D2040400
Requirements for optical process control see D2039587
SFC = Statistic process control CpK > 1.33

□ = Check dimension



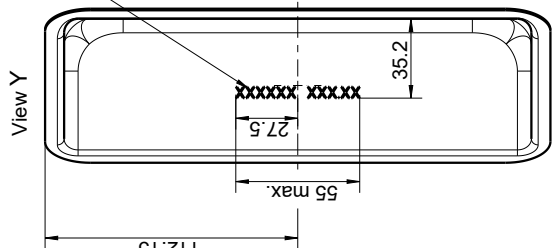
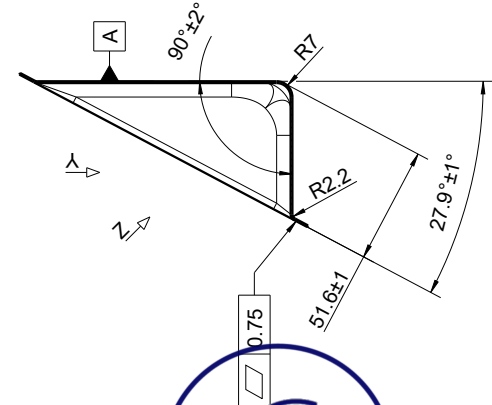
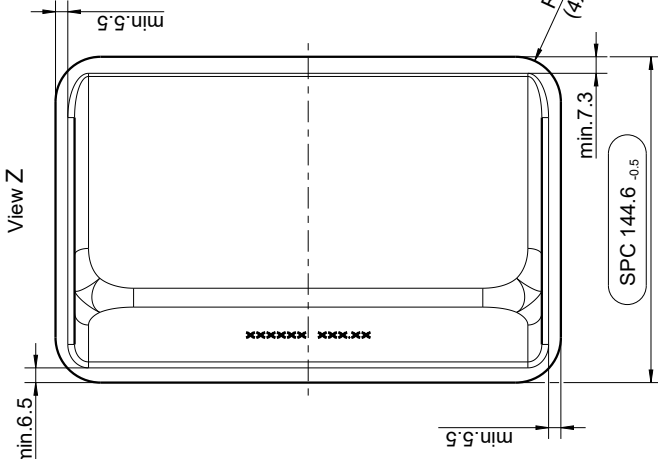
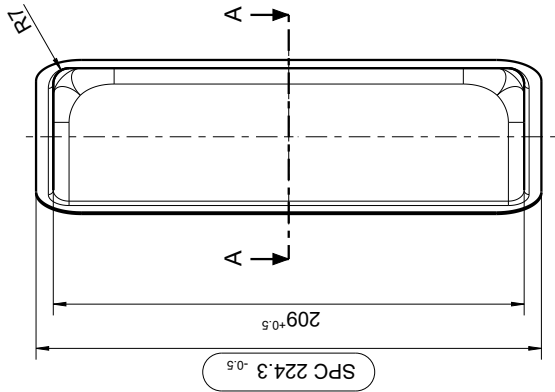
see technical purchase and test specifications
 Nr. 240-099-6009, Nr. 240-099-6070 and Nr. 240-099-6075
 (The verification / examination of the cleanliness shall
 be according D2040400)

○ = Prüfmass/check dimension
 SPC = statistic process control $cpk \geq 1,33$

nominal geometry, non dimensioned elements,
 radii and draft angles refer 3D data,
 approval with ISIR (must contain all dimensions
 which are specified on the drawing)

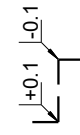
Housing clean, free of rust, scale, grease and oil
 requirements for optical appearance see D2039587
 max. burr 0.1 mm

 Material: DX54D alternative DX56D
 Coating: AZ185 (AluZinc) alternative ZM310 (Magnelis)

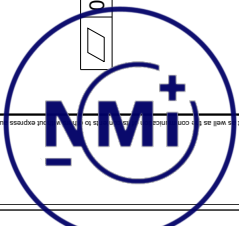


size and content
 of the traceability
 information according
 D2040649

edges acc. to DIN ISO 13715

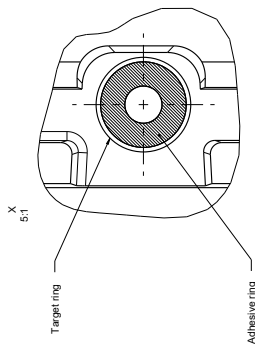


AG/C1468 alternative material and coating	20.04.21	Modery
remove German text, remove L + height in A-A, add dim. 51.6, add 90° in A-A, SPC dim. adapted, flange dim. changed, brackets removed, change dim. 209-R1,8, "Typ" changed, HFZ was again removed (coating)	11.08.20	Modery
remove 1.5 bar lightning, add D2039587, change 145.52.5 to 145.53.5, flange dimensions in brackets	25.09.19	Welschel
note added	13.05.19	Welschel
note added	24.04.19	Welschel
adaptation of tolerances	13.12.18	Eisele
Change-No.	Types of change	
2018	Date	Name
designed by	09.04.	Eisele
Algemeinabmessungen gemäss: General tolerances in accordance with: DIN 6930-m		
File		
Material	Steel sheet 0.8 mm	DIN EN 10346
with coating ***	AG	
Toleranzgrundriss laut ISO 8015	Toleranzgrundriss laut ISO 8015	
Shape and position tolerances according to DIN ISO 1011	Shape and position tolerances according to DIN ISO 1011	
Projektionsmethode 1. Draufsicht	Projektionsmethode 1. Draufsicht	
Scale	1:2	Smart meter
Status	Released	AG
Part No.	D2039702	
Manufacturer	Itron	
Replacement for	AG 1	
Replaced by	Released	
Page	1/1	
Version	1.1	

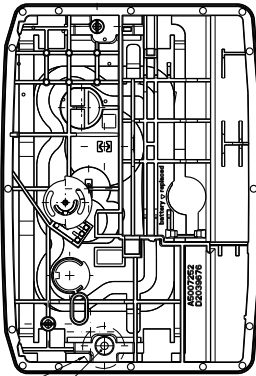


The reproduction, distribution and utilization of this document is prohibited. All rights reserved in the event of the grant of a patent, utility model or design. (ISO 10210)

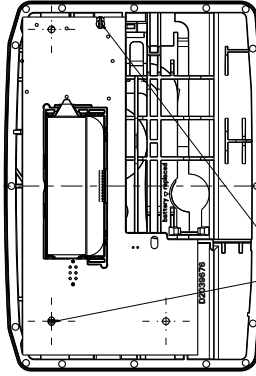
Wear powder-free latex gloves when handling the membrane. Keep all sharp or jagged items away from the membrane and adhesive ring. Check mounting surface before mounting the membrane. The surface has to be smooth, clean and free from oils, particles or other contaminants. The membrane inside the target ring and the entire adhesive ring is pressed against the surface.



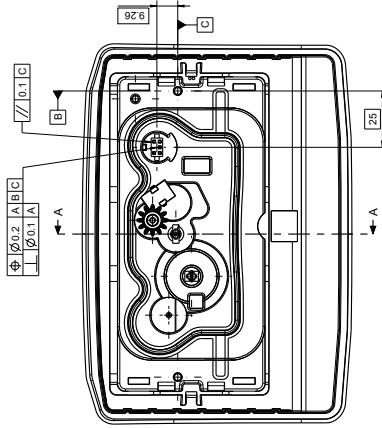
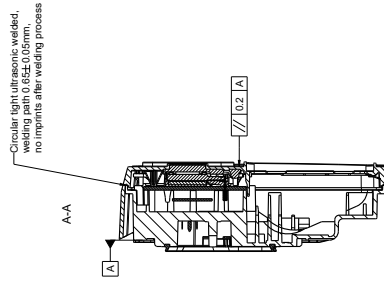
View of assembly step 2



View of assembly step 3

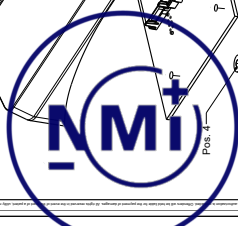
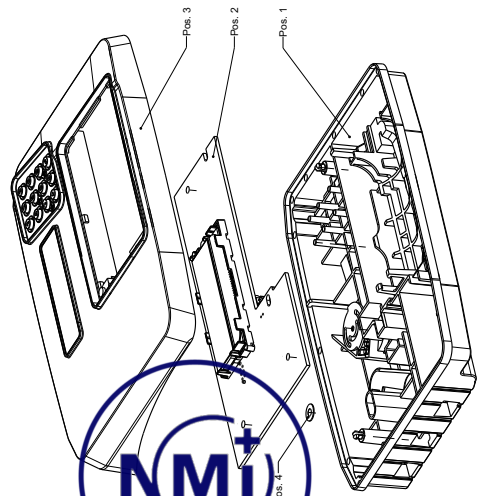


Mind correct position and orientation! Pos.2 has to be snapped-in safely into Pos.1



Assembly process:

- Step 1: Alignment of pos.1 with reference A during assembly
- Step 2: Stick pos. 4 on pos. 1
- Step 3: Insert pos.2 in pos.1 and snapped together, remove LCD protective foil
- Step 4: Position pos.3 at pos.1 and weld it ultrasonic



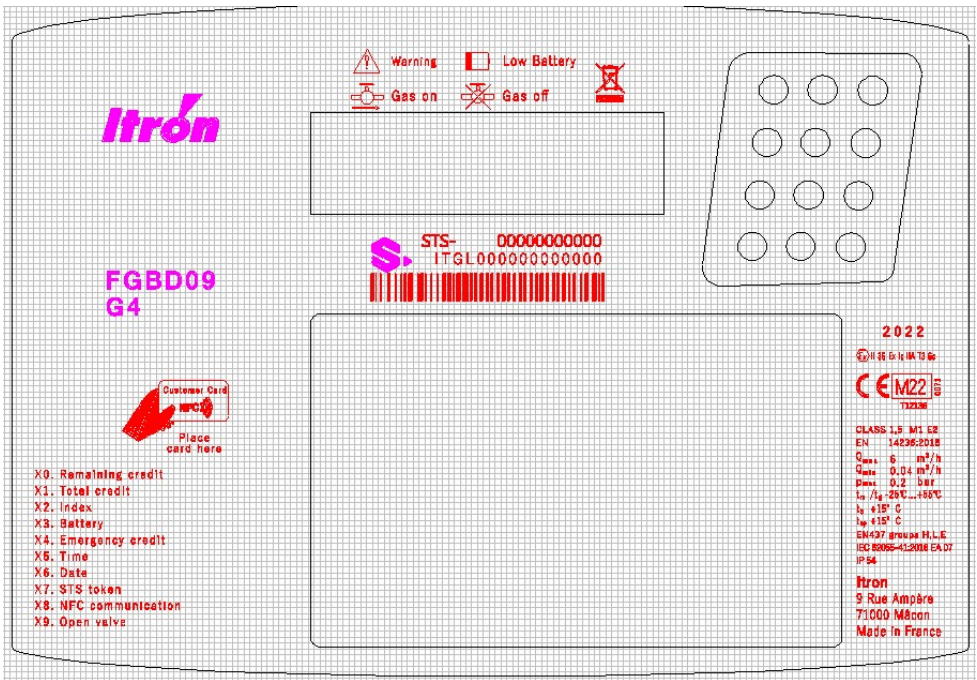
4	168-1054-01	A5007269 D2039876	168-1057-00 D2039820	A2039853 D2039809	65667	NGPP-SR3	
3	168-1054-00	A5007261 D2039877	A5007261 D2039877	A5007261 D2039877	54	NGPP-SR2	
2	A5007672	A5007524 D2039880	A5007649 D2039829	A2039893 D2039809	65667	NGPP-SR2	
1	A5007262	Pos.1 PCBA sam.	Pos.2 PCBA sam.	Pos.3 Frontcover asm.	65667	IP Class	Notes:
	EDV No.:						

Drawn variant A5007262

1:1	NGPP	AF	D2039881
1:1	NGPP	AF	D2039881
NGPP-SR2/SR3 Index with backlight			
HARDT/DIOL			
NGPP-SR2/SR3			
HARDT/DIOL			
NGPP-SR2/SR3			
HARDT/DIOL			

type designation	G size	bosses type	interaxis
FGBD09 110mm G1.6 DN20	G1.6	DN20	110mm
FGBD09 110mm G1.6 DN25	G1.6	DN25	110mm
FGBD09 110mm G1.6 G1"	G1.6	G1"	110mm
FGBD09 6" G1.6 BS746 1"	G1.6	BS746 1"	152,4mm
FGBD09 110mm G2.5 DN20	G2.5	DN20	110mm
FGBD09 110mm G2.5 DN25	G2.5	DN25	110mm
FGBD09 110mm G2.5 G1"	G2.5	G1"	110mm
FGBD09 6" G2.5 BS746 1"	G2.5	BS746 1"	152,4mm
FGBD09 110mm G4 DN20	G4	DN20	110mm
FGBD09 110mm G4 DN25	G4	DN25	110mm
FGBD09 110mm G4 G1"	G4	G1"	110mm
FGBD09 6" G4 BS746 1"	G4	BS746 1"	152,4mm





2022
 (Ex) II 3G Ex ic IIA T3 Gc
 CE M22 0071
 T12136

CLASS 1,5 M1 E2
 EN 14236:2018
 Q_{max} 6 m³/h
 Q_{min} 0.04 m³/h
 P_{max} 0.2 bar
 t_m / t_g -25°C...+55°C
 t_b +15° C
 t_{sp} +15° C
 EN437 groups H,L,E
 IEC 62055-41:2018 EA 07
 IP 54
Itron
 9 Rue Ampère
 71000 Mâcon
 Made in France



Intelis Pay Smart Meter Display

The meter display is a full dot matrix interface with a resolution of 132 by 28 dots. The display's viewable dimensions are a 58 mm width by a 15 mm height. Any display element can be activated independently or in conjunction with other elements.

The meter display is equipped with a backlight to enable reading in low-light conditions. The backlight automatically turns on when either of the two push-buttons are pushed. The backlight turns off after 30 seconds of inactivity. The inactivity turn off time is user-configurable.

The meter display has two panels that can display up to 24 characters.



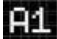










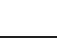
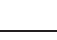




- Display top panel. The top panel of the LCD display has two lines of data that displays variable information, numerical data, and text.
- Display bottom panel. The bottom panel of the LCD displays the menu identifier and can display up to 8 status icons.

The display refresh rate is typically one second.

Meter Status Icons

The Intelis Pay Smart Meter's display icons indicate the meter and valve status.

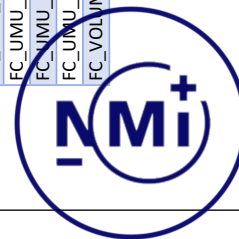


Display icon	Icon definition
Meter status indicators	
	Menu display identifier: MID relevant data
	Menu display identifier: non-MID relevant data
	NFC communication state <ul style="list-style-type: none"> Off: no communication-solid backlight lit Blinking: establishing communication-backlight slowly blinking Solid: communicating-backlight blinking rapidly
	Battery level: current remaining capacity estimated full <ul style="list-style-type: none"> 2/3  1/3  empty 
	The meter has an active alarm.
Shut-off valve indicators	
	The valve is open.
	The valve is closed.
	The valve is ready to be released. Note: The valve must be opened by a qualified field technician.
	Credit mode is active.
	Prepayment mode is active.
	The valve is closed.
	The valve is ready to be released Note: The valve must be opened by a qualified field technician.
	Credit mode is active.
	Prepayment mode is active.



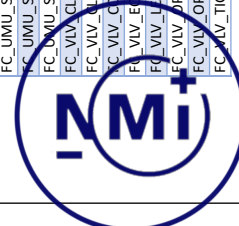
Menu C0

Alarm ID	Alarm code (decimal)	Alarm code (hex)	Event / Alert Code Meaning
FC_CRC_FW	266	10A	Firmware CRC not matching with the stored value
FC_FLOW_BACK	280	118	Backflow detected
FC_FLOW_OVER_1	281	119	Gas flow exceeds overflow threshold 1
FC_FLOW_OVER_2	282	11A	Gas flow exceeds overflow threshold 2
FC_FW_UPDATE_FAIL	303	12F	Firmware update failed
FC_FW_UPDATE_SUCC	302	12E	Firmware update succeed
FC_GAS_TEMP_HIGH	630	276	Gas temperature higher than specified threshold
FC_GAS_TEMP_LOW	631	277	Gas temperature lower than specified threshold
FC_MID_EVENT_LOG_90	315	13B	Legally relevant logbook 90% full
FC_MID_EVENT_LOG_FULL	316	13C	Legally relevant logbook full
FC_PAR_LEG_CRC	305	131	Legally relevant parameter CRC not matching with stored value
FC_PAR_LEG_LOG_90	306	132	Legally relevant parameter change log 90% full
FC_PAR_LEG_LOG_FULL	307	133	Legally relevant parameter change log full
FC_POW_BATT_REPLACE	696	2B8	Battery change performed
FC_POW_INT_90	286	11E	Battery capacity low
FC_TAM_OVER_COOL	323	143	Gas temperature too low, tampering suspected
FC_TAM_OVER_HEAT	322	142	Gas temperature too high, tampering suspected
FC_UMU_SENSOR_CONF_CHANGED	805	325	UMU configuration changed unexpectedly
FC_UMU_SENSOR_FATAL_ERROR	802	322	After UMU critical error the recovery attempt (3 UMU reset sequences) fails and the UMU is considered damaged.
FC_UMU_SENSOR_NOT_FOUND	803	323	No communication could be established with the UMU, it is considered as not present
FC_VOLUME_CORR	265	109	Volume decreased from UMU

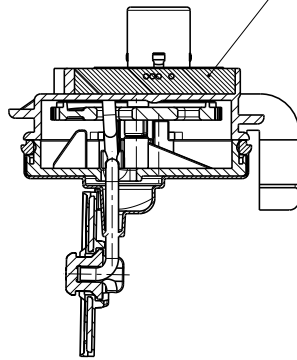


Menu F0

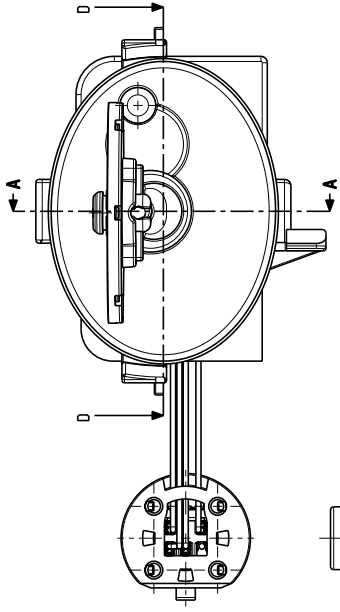
Alarm ID	Alarm code (decimal)	Alarm code (hex)	Event / Alert Code Meaning	In F0 when set/triggered	In F0 when reset
FC_ACCEPT_CREDIT_ERROR	412	19C	Could not accept credit	419C	-
FC_AL_SAVE_CLR	500	1F4	Clear alarm command performed	41F4	-
FC_BASE_TEMP_UPDT	656	290	Base temperature changed	4290	-
FC_DST_ACTIVE	561	231	Daylight saving time active	8231	231
FC_EXPIRY_ERROR	421	1A5	Maintenance card expired	41A5	-
FC_FALLBACK_TEMP_UPDT	657	291	Fallback temperature changed	4291	-
FC_GENERAL_EVENT_LOG_90	347	158	General event log 90% full	8158	158
FC_GENERAL_EVENT_LOG_CLR	349	15D	General event log cleared	415D	-
FC_GENERAL_EVENT_LOG_FULL	348	15C	General event log full	815C	15C
FC_INVALID_ARN_ERROR	410	19A	Invalid account reference number	819A	19A
FC_INVALID_BILLINGPERIOD_ERROR	423	1A7	Invalid billing period	41A7	-
FC_METER_NO_ERROR	407	197	Invalid meter number	4197	-
FC_MODE_PROG_CLOSE	291	123	Leaving maintenance mode	4123	-
FC_MODE_PROG_OPEN	290	122	Entering maintenance mode	4122	-
FC_NUM_USES_ERROR	420	1A4	Maintenance card number of uses exceeded limit	41A4	-
FC_PP EMC_AVAIL	402	192	Emergency credit has become available	4192	-
FC_PP_MB_EXCEED_MAX	690	2B2	Credit would cause Meter Balance to exceed Maximum Meter Balance Threshold. Adjust credit not accepted.	42B2	-
FC_PP_NO_CRED	401	191	Prepayment credit below disablement threshold	8191	191
FC_RESET	257	101	Unexpected reset	4101	-
FC_STS_DUPLICATE	698	2BA	STS Token already used	42BA	-
FC_STS_LOCK	432	1B0	STS Token manual entry (via menu) suspended	81B0	1B0
FC_SUPPLIER_ID_ERROR	406	196	Invalid supplier ID	4196	-
FC_TAM_COVER	321	141	Battery cover tamper detected	8141	141
FC_TIMEOUT_PAY_AS_YOU_GO	425	1A9	PAYG timeout	41A9	-
FC_TIMESTAMP_ERROR	419	1A3	Card timestamp invalid	41A3	-
FC_TOKEN_AUTHENTICATION_ERROR	408	198	Token authentication failed	8198	198
FC_TOKEN_CARD_TYPE_ERROR	405	195	Token Card type file corrupt	8195	195
FC_UMU_SENSOR_COMM_FAILED	804	324	During normal operation there are subsequent communication failures with the UMU. Sensor rediscovery starts.	4324	-
FC_UMU_SENSOR_CRITICAL_ERROR	801	321	UMU reports errors 6, 7 or 8	4321	-
FC_UMU_SENSOR_DRIVER_FAILURE	800	320	There is an error in the UMU sensor driver component	4320	-
FC_VLV_CLOSE	332	14C	Valve has been closed	414C	-
FC_VLV_CLOSE_ERROR	337	151	Valve closure error	8151	151
FC_VLV_OPEN_CLOSE	581	245	Valve has been closed due to remote command	8245	245
FC_VLV_ERR	336	150	Valve end of life reached	8150	150
FC_VLV_LEAK	334	14E	Valve leak detected (after leaktest)	814E	14E
FC_VLV_OPEN	331	148	Valve has been opened	4148	-
FC_VLV_OPEN_ERROR	338	152	Valve open error	8152	152
FC_VLV_TIGHTNESS	623	26F	Valve tightness test failed	826F	26F



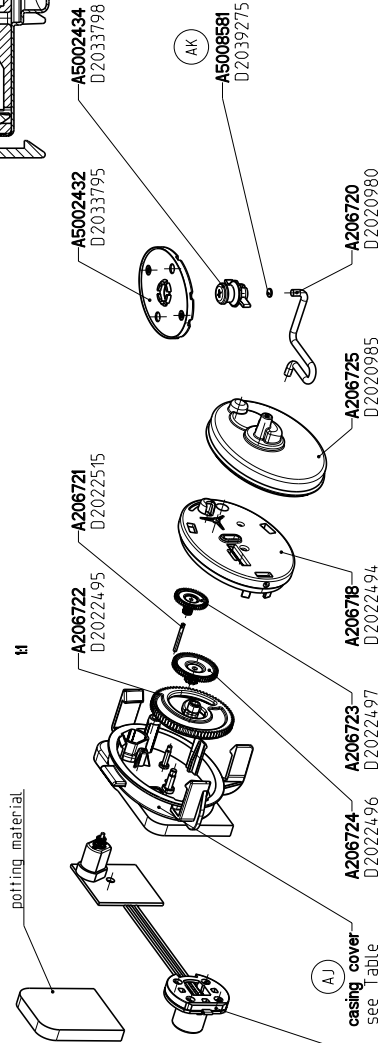
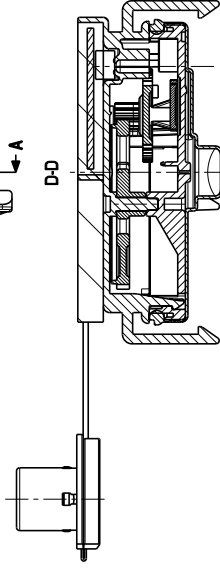
A-A



potting material mixture 100 (Araldite CW 2243-2L Blue) to 11 (Araldium HY 2966) after assembly



D-D



potting material

Feedthrough connector + board see Table

Article No.	Meter type	Feedthrough connector + board	casing cover
10	Static (UM13, no ferrite, EP301 without P-Sensor)	174-1289-00 D2042299	D2022492 (big PCB)
9	Static (UM13, no ferrite, US feedthrough)	173-1209-01 D2042411	D2038088 (small PCB)
8	Static (UM12, no ferrite, US feedthrough)	A5009173 D2042411	D2038088 (small PCB)
7	Static (UM13, no ferrite, EP301 with P-Sensor)	174-1291-00 AL D2042299	D2022492 (big PCB)
6.1	Static (UM13, no ferrite)	173-1209-00 D2040002	D2038088 (small PCB)
6	Static (UM12, no ferrite)	A5007380 D2040002	D2038088 (small PCB)
4	Static (UM12, with ferrite)	A5003849 D2035897	D2038088 (small PCB)
2	GALLUS	A5001512 D2032992	D2038088 (small PCB)
1	RF1	A5001180 D2032992	D2038088 (small PCB)

AL

AJ

AJ

version A5002174 is shown

Change No.	Date	Name	Type of change	Date	Name
01	05.07.21	Kristina	Initial	05.07.21	Kristina
02	24.02.21	Kristina	Change	24.02.21	Kristina
03	15.02.20	Kristina	Change	15.02.20	Kristina
04	11.08.20	Kristina	Change	11.08.20	Kristina

Scale	For	Article
2:1	DC valve	D2031739

Designed by	DIA	Checked

Title	Material	Quantity
Shut off valve	AL	2

Replacement for	Replaced by

Page	of
1	1

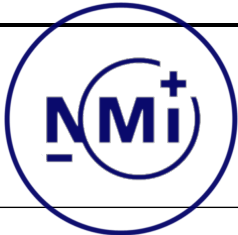
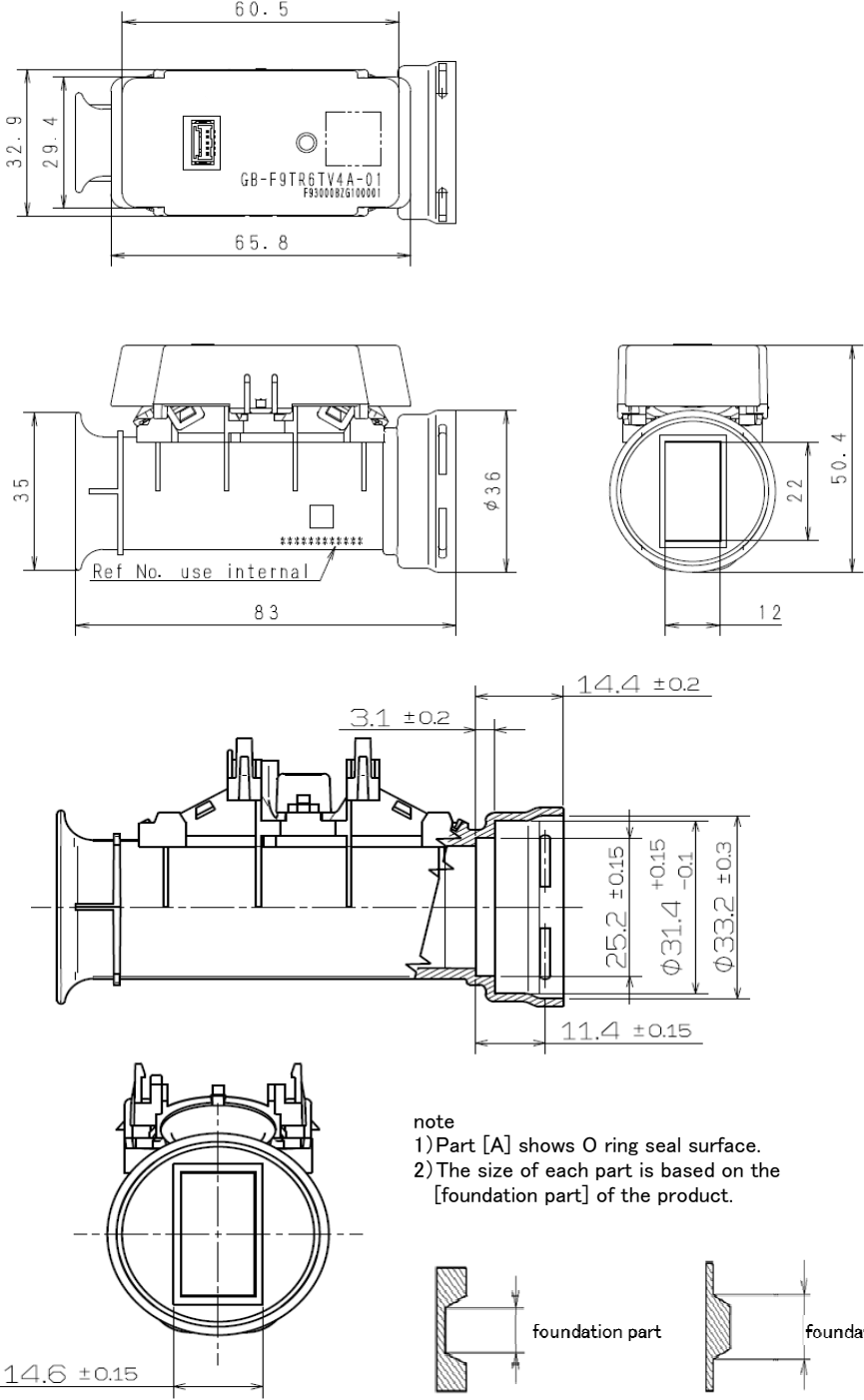


Doc no
Page

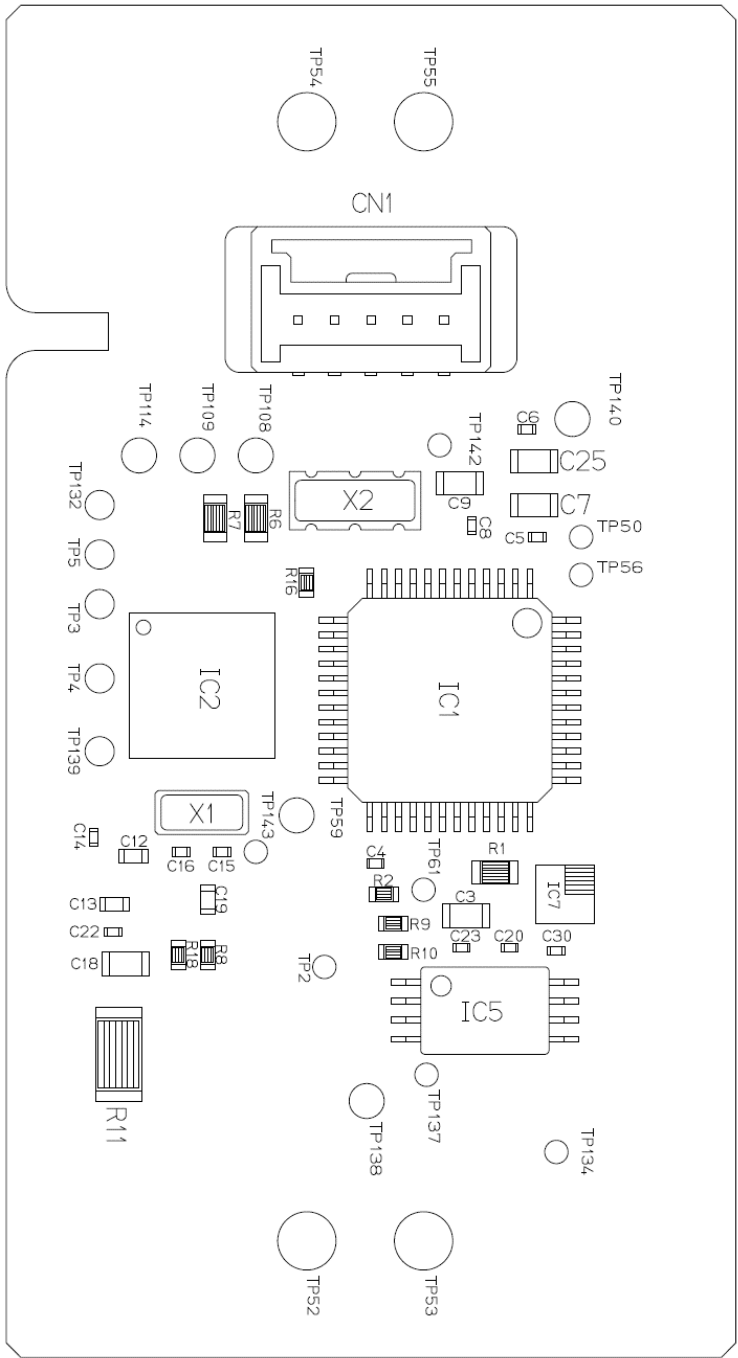
12136/0-09
1 of 1

10. Outline Drawing (Unit: mm)

*The common difference without directions is ± 1.0




Mechanical assembly drawing of PGB



Document No.20203558

Confidential



	Doc no	12136/0-12
	Page	1 of 2

BOM of Ultrasonic Measurement Unit (UMU3 NAM) circuit

		rated voltage (V)	capacitance (F)	tolerance (%)	temperature characteristic (%)
C3	Capacitor	6.3	10 μ	± 10	± 15
C4	Capacitor	25	0.01 μ	± 10	± 15
C5	Capacitor	25	1000p	± 10	± 15
C6	Capacitor	10	0.1 μ	± 10	± 15
C7	Capacitor	6.3	10 μ	± 10	± 15
C8	Capacitor	10	0.1 μ	± 10	± 15
C9	Capacitor	6.3	10 μ	± 10	± 15
C12	Capacitor	6.3	4.7 μ	± 20	± 15
C13	Capacitor	6.3	4.7 μ	± 20	± 15
C14	Capacitor	10	0.1 μ	± 10	± 15
C15	Capacitor	50	15p	± 5	0 \pm 30ppm/ $^{\circ}$ C
C16	Capacitor	50	15p	± 5	0 \pm 30ppm/ $^{\circ}$ C
C18	Capacitor	6.3	10 μ	± 10	± 15
C19	Capacitor	6.3	2.2 μ	± 10	± 15
C20	Capacitor	10	0.1 μ	± 10	± 15
C22	Capacitor	10	0.1 μ	± 10	± 15
C23	Capacitor	10	0.1 μ	± 10	± 15
C25	Capacitor	6.3	10 μ	± 10	± 15
C30	Capacitor	10	0.1 μ	± 10	± 15

		absolute maximum rating (V)	part number	Rth
IC1	Measurement IC	4.6	BU28132KV	83 $^{\circ}$ C/W
IC2	Microcomputer	6	ML611Q937	250 $^{\circ}$ C/W
IC5	EEPROM	6.5	BR24G08FVT-3	63 $^{\circ}$ C/W
IC7	Temperature Sensor	6	TMP116	68.7 $^{\circ}$ C/W

		rated power (W)	resistance value (Ω)	tolerance (%)
R1	Resistor	0.1	37.4k	± 1
R2	Resistor	0.063	1.0k	± 5
R6	Resistor	0.1	1.0k	± 5
R7	Resistor	0.1	1.0k	± 5
R8	Resistor	0.063	33k	± 5
R9	Resistor	0.063	10k	± 5
R10	Resistor	0.063	10k	± 5
R11	Resistor	2 (A)	0	+0.05 (Ω)
R16	Resistor	0.063	10k	± 5
R18	Resistor	1 (A)	0	+0.05 (Ω)

		frequency (Hz)
X1	Crystal oscillator	32.768k
X2	Ceramic Resonator	4M

CN1	Connector
-----	-----------

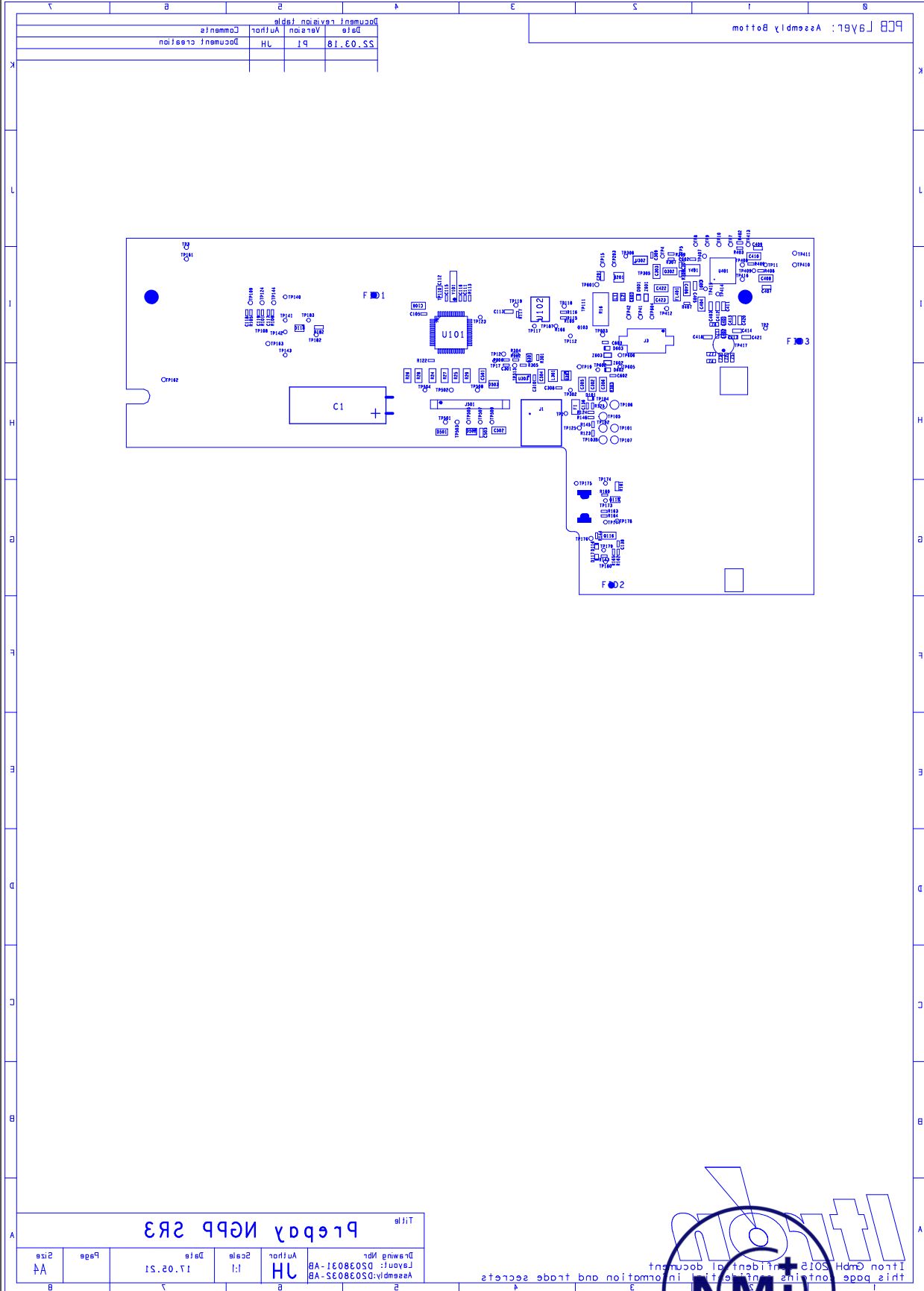
		absolute maximum rating (V)
S1	Ultrasonic transducer	20
S2	Ultrasonic transducer	20

Potting material

Coating part	
Chemical name	Polyurethane acrylate mixed solution
Volume resistivity	5.41 $\times 10^{13}$ Ω cm
Elastic modulus	4.50MPa
Elasticity	202%
Manufacturer	Sekisui Fuller Company, Ltd.

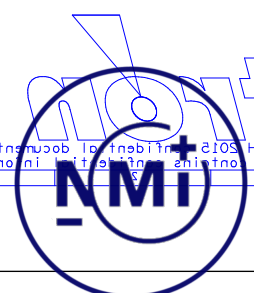
Outer circumference	
Chemical name	Polyurethane acrylate mixed solution
Volume resistivity	5.99 $\times 10^{13}$ Ω cm
Elastic modulus	6.13MPa
Elasticity	210%
Manufacturer	Sekisui Fuller Company, Ltd.





Document revision table			
Date	Version	Author	Comments
25.03.18	P1	JH	Document creation

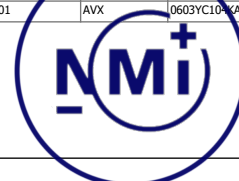
Title		Prebay NGPP SR3	
Drawing No.	D2038031-AB	Author	JH
Layout	D2038032-AB	Date	11.02.21
Assembly	D2038032-AB	Page	44
Size	A4		



This page contains confidential information and trade secrets
 Itron GmbH 2015. All rights reserved.

BOM PCBA A5008357-AB

BOM Level	Item Class	Item Number	Item Description	Revision	BOM Quantity	Reference Designators	Manufacturer	Manufacturer Part Number
1	PCBA	A5008357	BOARD Prepay NGPP SR3NFC,Flash & LIMNO2	AB	1			
2	Legacy Items	F205554	BOM FDW Prepay NGPPSR3	AA	1			
2	Legacy Items	F205656	BOM HDW Intelisoptio DCDC boost	AA	1			
3	Integrated Circuit	A5000880	TPS61291SO 6 REG -40CEL 85CEL	AA	1	U301	Texas Instruments	TPS61291DRV
3	Capacitor	A5001651	CER CAPA 1uF 10% 16V1206 X7R RoHS	AB	5	C302,C303,C304,C305,C306	Walsin	1206B105K160C*
3	Capacitor	A5001651	CER CAPA 1uF 10% 16V1206 X7R RoHS	AB	5	C302,C303,C304,C305,C306	AVX	1206YC105KAT*A
3	Inductor	A5006357	INDUCTOR 3.3uH 20% 400mASMD G01 YES	AA	1	L301	Würth Elektronik	74479787233A
2	Legacy Items	F205668	BOM HDW Intelisoptio flash memory	AB	1			
3	Resistor	A5001815	RES 100ku 1% 63mW MET0402 100PPM/K G01	AB	3	R115,R116,R117	KOA Speer Electronics	RK73H1ET**1003F
3	Resistor	A5001815	RES 100ku 1% 63mW MET0402 100PPM/K G01	AB	3	R115,R116,R117	Walsin	WR04X1003F*L
3	Capacitor	A5001893	CER CAPA 100nF 10% 16V0603 X7R RoHS G01	AB	1	C113	AVX	0603YC104KAT*A
3	Capacitor	A5001893	CER CAPA 100nF 10% 16V0603 X7R RoHS G01	AB	1	C113	Walsin	0603B104K160C*
3	Integrated Circuit	A5009141	SPI Flash Memory 16MBitmin. SO8 150° RoHS G01	AB	1	U102	Macronix	MX25V1606FM1I03
3	Integrated Circuit	A5009141	SPI Flash Memory 16MBitmin. SO8 150° RoHS G01	AB	1	U102	Adesto Technologies	AT25SF161B-SSH-B*
3	Integrated Circuit	A5009141	SPI Flash Memory 16MBitmin. SO8 150° RoHS G01	AB	1	U102	ISSI	IS25LP016D-INLE
2	Legacy Items	F205677	BOM HDW Prepay NGPPSR3 static basic	AF	1			
3	Resistor	A206009	Res 22u 1% 1W MET 2512100PPM/K G01	AB	1	R16	Panasonic	ERJ1TNF22R0*
3	Resistor	A206009	Res 22u 1% 1W MET 2512100PPM/K G01	AB	1	R16	ASJ	CR63-22R0F*
3	Resistor	A206009	Res 22u 1% 1W MET 2512100PPM/K G01	AB	1	R16	Vishay	CRCW251222R0FK****
3	Resistor	A206009	Res 22u 1% 1W MET 2512100PPM/K G01	AB	1	R16	Yageo	RC2512F**22RL
3	Diode	A206523	TRANSIENT SUPPRES. DIODEPESD523.3 SOD523 3.3V	AB	3	D101,D116,D117	NXP Semiconductors	PESD523.3
3	Diode	A206523	TRANSIENT SUPPRES. DIODEPESD523.3 SOD523 3.3V	AB	3	D101,D116,D117	On Semiconductor	ESD523.3T*G
3	Resistor	A206548	RES 120u 1% 100mW MET0603 100PPM/K	AB	1	R161	Yageo	RC0603FR-**120R
3	Resistor	A206548	RES 120u 1% 100mW MET0603 100PPM/K	AB	1	R161	Walsin	WR06X1200F*L
3	Capacitor	A209674	CER CAPA 10pF 5% 50V0402 NP0/COG RoHS G01	AB	1	C116	Yageo	CC0402**NP09BN100
3	Capacitor	A209674	CER CAPA 10pF 5% 50V0402 NP0/COG RoHS G01	AB	1	C116	AVX	0402SA100JAT2A
3	Capacitor	A209674	CER CAPA 10pF 5% 50V0402 NP0/COG RoHS G01	AB	1	C116	Murata	GRM1555CH1100JA01*
3	Capacitor	A209674	CER CAPA 10pF 5% 50V0402 NP0/COG RoHS G01	AB	1	C116	Walsin	0402N100J500C*
3	Capacitor	A5000372	CER CAP 9.1pF +/-0.1 50V0402 NP0 RoHS G01	AB	1	C115	Murata	GRM1555CH1H9R1BA01*
3	Capacitor	A5000372	CER CAP 9.1pF +/-0.1 50V0402 NP0 RoHS G01	AB	1	C115	AVX	0402SA9R1BAT2A
3	Capacitor	A5000372	CER CAP 9.1pF +/-0.1 50V0402 NP0 RoHS G01	AB	1	C115	Walsin	0402N9R1B500C*
3	Optoelectronic	A5001467	VISUAL LIGHT EMIT. DIODE5V 30mA Rev_Gull_W White	AA	1	D118	Everlight	65-21/TZC-KW2X1F/2AA
3	Inductor	A5001632	INDUCTOR 470nH 20% 400mA0603 G01 YES	AA	2	L1,L2	TDK	MLZ1608DR47DT000
3	Capacitor	A5001648	CER CAPA 470nF 10% 16V0805 X7R	AB	1	C112	Walsin	0805B474K160C*
3	Capacitor	A5001648	CER CAPA 470nF 10% 16V0805 X7R	AB	1	C112	AVX	0805YC474KAT*A
3	Capacitor	A5001648	CER CAPA 470nF 10% 16V0805 X7R	AB	1	C112	Kemet	C0805C474K4RAC**
3	Capacitor	A5001651	CER CAPA 1uF 10% 16V1206 X7R RoHS	AB	3	C106,C501,C502	Walsin	1206B105K160C*
3	Capacitor	A5001651	CER CAPA 1uF 10% 16V1206 X7R RoHS	AB	3	C106,C501,C502	AVX	1206YC105KAT*A
3	Capacitor	A5001662	CER CAPA 33pF 5% 50V0402 NP0 RoHS G01	AB	1	C138	Walsin	0402N330J500C*
3	Capacitor	A5001662	CER CAPA 33pF 5% 50V0402 NP0 RoHS G01	AB	1	C138	AVX	0402SA330JAT*A
3	Resistor	A5001815	RES 100ku 1% 63mW MET0402 100PPM/K G01	AB	1	R305	KOA Speer Electronics	RK73H1ET**1003F
3	Resistor	A5001815	RES 100ku 1% 63mW MET0402 100PPM/K G01	AB	1	R305	Walsin	WR04X1003F*L
3	Resistor	A5001816	RES 10ku 1% 63mW MET0402 100PPM/K G01	AB	1	R166	Walsin	WR04X1002F*L
3	Resistor	A5001816	RES 10ku 1% 63mW MET0402 100PPM/K G01	AB	1	R166	KOA Speer Electronics	RK73H1ET**1002F
3	Resistor	A5001817	RES 47ku 1% 63mW MET0402 100PPM/K G01	AB	8	R101,R105,R106,R113,R118,R119,R124,R165	Walsin	WR04X4702F*L
3	Resistor	A5001817	RES 47ku 1% 63mW MET0402 100PPM/K G01	AB	8	R101,R105,R106,R113,R118,R119,R124,R165	KOA Speer Electronics	RK73H1ET**4702F
3	Resistor	A5001822	RES 0R 5% 100mW MET0603 200PPM/K G01	AB	1	Z601	KOA Speer Electronics	RK73Z1JT**
3	Resistor	A5001822	RES 0R 5% 100mW MET0603 200PPM/K G01	AB	1	Z601	Walsin	WR06X000_P*L
3	Resistor	A5001822	RES 0R 5% 100mW MET0603 200PPM/K G01	AB	1	Z601	Yageo	RC0603FR-**0RL
3	Resistor	A5001823	RES 470ku 1% 63mW MET0402 100PPM/K G01	AB	1	R185	Yageo	RC0402FR-**470KL
3	Resistor	A5001823	RES 470ku 1% 63mW MET0402 100PPM/K G01	AB	1	R185	KOA Speer Electronics	RK73H1ET**4703F
3	Resistor	A5001823	RES 470ku 1% 63mW MET0402 100PPM/K G01	AB	1	R185	Walsin	WR04X4703F*L
3	Resistor	A5001824	RES 1ku 1% 63mW MET0402 100PPM/K G01	AB	9	R123,R125,R143,R144,R145,R146,R160,R162,R164	Walsin	WR04X1001F*L
3	Resistor	A5001824	RES 1ku 1% 63mW MET0402 100PPM/K G01	AB	9	R123,R125,R143,R144,R145,R146,R160,R162,R164	KOA Speer Electronics	RK73H1ET**1001F
3	Resistor	A5001829	RES 5.6ku 1% 63mW MET0402 100PPM/K G01	AB	1	R306	Yageo	RC0402FR-**5K6L
3	Resistor	A5001829	RES 5.6ku 1% 63mW MET0402 100PPM/K G01	AB	1	R306	KOA Speer Electronics	RK73H1ET**5601F
3	Resistor	A5001829	RES 5.6ku 1% 63mW MET0402 100PPM/K G01	AB	1	R306	Walsin	WR04X5601F*L
3	Resistor	A5001837	RES 560u 1% 100mW MET0603 100PPM/K G01	AB	1	R182	Walsin	WR06X5600F*L
3	Resistor	A5001837	RES 560u 1% 100mW MET0603 100PPM/K G01	AB	1	R182	KOA Speer Electronics	RK73H1JT**5600F
3	Resistor	A5001838	RES 220u 1% 250mW MET1206 100PPM/K G01	AB	4	R26,R27,R28,R29	Yageo	RC1206FR-**220RL
3	Resistor	A5001838	RES 220u 1% 250mW MET1206 100PPM/K G01	AB	4	R26,R27,R28,R29	KOA Speer Electronics	RK73H2BT**2200F
3	Resistor	A5001838	RES 220u 1% 250mW MET1206 100PPM/K G01	AB	4	R26,R27,R28,R29	Walsin	WR1206-2200F*L
3	Capacitor	A5001893	CER CAPA 100nF 10% 16V0603 X7R RoHS G01	AB	3	C201,C503,C601	AVX	0603YC105KAT*A



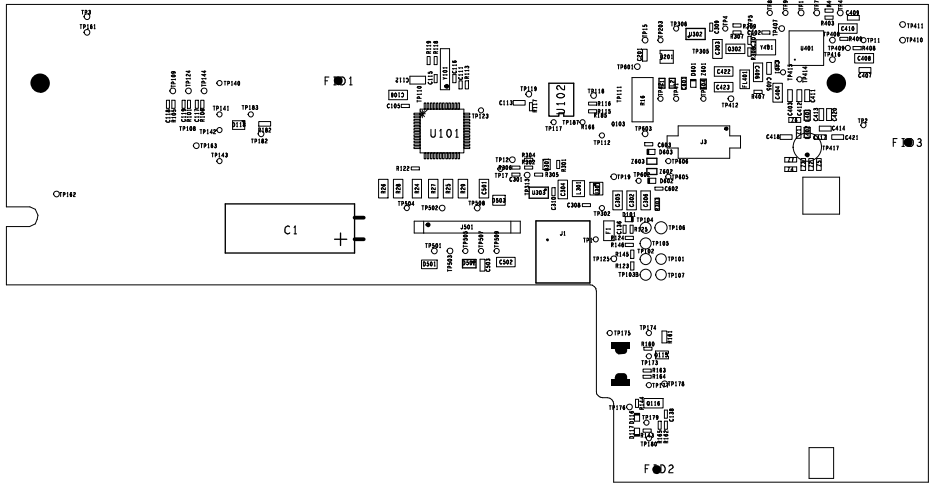
3	Capacitor	A5001893	CER CAPA 100nF 10% 16V0603 X7R RoHS G01	AB	3	C201,C503,C601	Walsin	0603B104K160C*
3	Capacitor	A5001896	CER CAPA 470pF 10% 50V0402 X7R RoHS G01	AB	5	C105,C117,C118,C119,C136	Murata	GRM155R71H471KA01*
3	Capacitor	A5001896	CER CAPA 470pF 10% 50V0402 X7R RoHS G01	AB	5	C105,C117,C118,C119,C136	Walsin	0402B471K500C*
3	Capacitor	A5001896	CER CAPA 470pF 10% 50V0402 X7R RoHS G01	AB	5	C105,C117,C118,C119,C136	Kemet	C0402C471K5RAC*
3	Capacitor	A5001896	CER CAPA 470pF 10% 50V0402 X7R RoHS G01	AB	5	C105,C117,C118,C119,C136	AVX	04025C471KAT*A
3	Capacitor	A5001896	CER CAPA 470pF 10% 50V0402 X7R RoHS G01	AB	5	C105,C117,C118,C119,C136	Yageo	CC0402K*X7R9BB471
3	Capacitor	A5001897	CER CAPA 100pF 5% 16V0402 NP0 RoHS G01	AB	3	C301,C602,C603	AVX	0402YA101JAT*A
3	Capacitor	A5001897	CER CAPA 100pF 5% 16V0402 NP0 RoHS G01	AB	3	C301,C602,C603	Walsin	0402N101J160C*
3	Capacitor	A5001897	CER CAPA 100pF 5% 16V0402 NP0 RoHS G01	AB	3	C301,C602,C603	Yageo	CC0402J**NP09BN101
3	Capacitor	A5001897	CER CAPA 100pF 5% 16V0402 NP0 RoHS G01	AB	3	C301,C602,C603	Murata	GRM1555C1H101JA01*
3	Capacitor	A5001900	CER CAPA 2.2nF 10% 25V0402 X7R RoHS G01	AB	1	C111	Murata	GRM155R71E22KA01*
3	Capacitor	A5001900	CER CAPA 2.2nF 10% 25V0402 X7R RoHS G01	AB	1	C111	Walsin	0402B22K250C*
3	Capacitor	A5001900	CER CAPA 2.2nF 10% 25V0402 X7R RoHS G01	AB	1	C111	Yageo	CC0402K*X7R8BB222
3	Capacitor	A5001900	CER CAPA 2.2nF 10% 25V0402 X7R RoHS G01	AB	1	C111	Kemet	C0402C22K3RAC*
3	Capacitor	A5001900	CER CAPA 2.2nF 10% 25V0402 X7R RoHS G01	AB	1	C111	AVX	0402C22KAT*A
3	Crystal And Oscillator	A5001995	CRYSTAL UNIT 32.768kHz-40C +85C +-20ppm 0.01uW	AA	1	Y101	Seiko Instruments	SSPT7FL-6PF20-R
3	Connector	A5002314	CONNEX 1x1x1.27mm SMFSn PhBrze TOP G01 RoHS	AB	1	J501	GTK UK	FHSS11T8-01E-R
3	Resistor	A5003048	RES 127ku 1% 63mW MET0402 100ppm G01 RoHS	AB	1	R302	Walsin	WR04X1273F*FL
3	Resistor	A5003048	RES 127ku 1% 63mW MET0402 100ppm G01 RoHS	AB	1	R302	Yageo	RC0402FR-***127KL
3	Resistor	A5003048	RES 127ku 1% 63mW MET0402 100ppm G01 RoHS	AB	1	R302	KOA Speer Electronics	RK73H1ET**1273F
3	Transistor	A5003408	Dual NPN BC847BD45V 100mA SOT363 RoHS	AA	1	Q115	On Semiconductor	BC847BDWIT1G
3	Transistor	A5003409	TRANSISTOR NPN BC846BLT165V 100mA SOT23 RoHS	AA	1	Q116	On Semiconductor	BC846BLT1G
3	Transistor	A5003413	Single PMOS FDV304P-25V -460mA SOT23 RoHS	AB	1	Q103	Rohm	RSC002P03T316
3	Transistor	A5003413	Single PMOS FDV304P-25V -460mA SOT23 RoHS	AB	1	Q103	On Semiconductor	FDV304P
3	Hardware And Fastener	A5003851	IN-LINE_CONN 2x3 FH214H2.54mm THF Au PhBrze TOP	AA	1	J3	GTK UK	F214H-2x03SMHI-D Rev. 1.0
3	Optoelectronic	A5004315	IR-PHOTOTRANSISTOR 90°daylight filter RoHS G01	AA	1	Q117	Everlight	PT12-21B/2D
3	Optoelectronic	A5004316	IR-LED right angle 1x3mm5V 50mA 940nm clear G01	AA	1	D115	Everlight	IR12-21C/TR8
3	Hardware And Fastener	A5005791	FUSE FAST 500mA 63V 12505s - 1206 E10480 YES	AA	1	F1	Littelfuse	0437 .500 W R
3	Magnet	A5006192	RIGID_PCB dl FR4 1.6mmPrepay NGPP SR3	AD	1	PCB		
3	Resistor	A5006605	RES 3.3ku 1% 63mW MET0402 100ppm/K G01	AA	1	R163	Walsin	WR04X3301F*L
3	Resistor	A5006605	RES 3.3ku 1% 63mW MET0402 100ppm/K G01	AA	1	R163	KOA Speer Electronics	RK73H1ET**3301F
3	Hardware And Fastener	A5007154	CONNECTOR 2PINS SIDE SMT2mm Sn BRASS SIDE RoHS	AA	1	J1	JST	S2B-PH-SM4-TB
3	Resistor	A5007395	RES 1ku 1% 250mW MET1206 100ppm/K RoHS G02	AA	2	R24,R25	Walsin	WR12X1001F*L
3	Resistor	A5007395	RES 1ku 1% 250mW MET1206 100ppm/K RoHS G02	AA	2	R24,R25	KOA Speer Electronics	RK73H2BT**1001F
3	Resistor	A5007395	RES 1ku 1% 250mW MET1206 100ppm/K RoHS G02	AA	2	R24,R25	Yageo	RC1206FR-***1KL
3	Diode	A5007990	SUPP. DIODE 3V3 quad comanode SOT353 G01 RoHS	AA	1	D501	Texas Instruments	TPD4E1U06DCKR
3	Diode	A5007990	SUPP. DIODE 3V3 quad comanode SOT353 G01 RoHS	AA	1	D501	NXP Semiconductors	PESD3V3L4UG
3	Diode	A5007992	SUPP. DIODE 3V3 dual comanode SOT323 G01 RoHS	AA	1	D502	Texas Instruments	TPD2E2U06QDCKRQ1
3	Diode	A5007992	SUPP. DIODE 3V3 dual comanode SOT323 G01 RoHS	AA	1	D502	NXP Semiconductors	PESD5V0L2UJ
3	Integrated Circuit	A5009397	MICROC. R5F104KGFB16Bt 384K QFP48 RoHS	AA	1	U101	RENESAS ELECTRONICS CORPORATION	R5F104KGFB#*0
3	Integrated Circuit	A5009398	IC TPS22917 SOT23-6AS -40CELE 125CELE RoHS	AA	2	U302,U303	Texas Instruments	TPS22917DBV*
3	Legacy Items	F205762	BOM COMP Motor driverselection management	AA	1	U201		
3	Resistor	A5001828	RES 1ku 1% 100mW MET0603 100PPM/K G01	AB	2	Z602,Z603	Walsin	WR06X1001F*L
3	Resistor	A5001828	RES 1ku 1% 100mW MET0603 100PPM/K G01	AB	2	Z602,Z603	KOA Speer Electronics	RK73H1JT**1001F
3	Resistor	A5001828	RES 1ku 1% 100mW MET0603 100PPM/K G01	AB	2	Z602,Z603	Yageo	RC0603FR-***1KL
2	Legacy Items	F205678	BOM HDW Prepay NGPPSR3 option NFC interface	AA	1			
3	Capacitor	A203473	CER CAPA 10uF 10% 10V1206 X7R G01	AE	2	C422,C423	Murata	GRM31CR71A106K*
3	Capacitor	A203473	CER CAPA 10uF 10% 10V1206 X7R G01	AE	2	C422,C423	Samsung	CL31B106KPHVNE
3	Capacitor	A203473	CER CAPA 10uF 10% 10V1206 X7R G01	AE	2	C422,C423	Yageo	CC1206K*X7R6BB106
3	Capacitor	A203473	CER CAPA 10uF 10% 10V1206 X7R G01	AE	2	C422,C423	Murata	GRM31CR71A106K*
3	Capacitor	A203473	CER CAPA 10uF 10% 10V1206 X7R G01	AE	2	C422,C423	Kemet	C1206C106K8RA*
3	Resistor	A5001816	RES 10ku 1% 63mW MET0402 100PPM/K G01	AB	2	R402,R403	Walsin	WR04X1002F*L
3	Resistor	A5001816	RES 10ku 1% 63mW MET0402 100PPM/K G01	AB	2	R402,R403	KOA Speer Electronics	RK73H1ET**1002F
3	Capacitor	A5002888	CER CAPA 15pF 5% 50V0402 NP0 RoHS G01	AB	2	C401,C402	Murata	GC1555C1H150JA16
3	Capacitor	A5002888	CER CAPA 15pF 5% 50V0402 NP0 RoHS G01	AB	2	C401,C402	Walsin	0402N150J500C*
3	Capacitor	A5002888	CER CAPA 15pF 5% 50V0402 NP0 RoHS G01	AB	2	C401,C402	AVX	04025A150JAT*A
3	Capacitor	A5003437	CER CAPA 2.2uF 10% 16V1206 X7R RoHS G01	AB	4	C404,C406,C408,C410	Murata	GRM31MR71C225KA35*
3	Capacitor	A5003437	CER CAPA 2.2uF 10% 16V1206 X7R RoHS G01	AB	4	C404,C406,C408,C410	Walsin	1206B225K160C*
3	Capacitor	A5003437	CER CAPA 2.2uF 10% 16V1206 X7R RoHS G01	AB	4	C404,C406,C408,C410	Yageo	CC1206K*X7R7BB225
3	Capacitor	A5003437	CER CAPA 2.2uF 10% 16V1206 X7R RoHS G01	AB	4	C404,C406,C408,C410	AVX	1206C225KAT*A
3	RF Filter	A5006356	EMC FILTER FERRI 30MHz1206 2 G01 YES	AA	1	FL401	Würth Elektronik	74279219
3	Crystal And Oscillator	A5006583	OSCILLATOR 27.12MHz-25CEL 85CEL 20ppm SMD	AA	1	Y401	NDK	EXS00A-CS10768



3	Crystal And Oscillator	A5006583	OSCILLATOR 27.12MHz-25CEL 85CEL 20ppm SMD	AA	1	Y401	Jauch	Q 27,120-JXS32 ...
3	Crystal And Oscillator	A5006583	OSCILLATOR 27.12MHz-25CEL 85CEL 20ppm SMD	AA	1	Y401	GEYER ELECTRONIC	12.60118
3	Capacitor	A5006679	CER CAPA 10nF 10% 16V0603 X7R RoHS G01	AA	4	C403,C405,C407,C409	Murata	GRM188R71E103KA01*
3	Capacitor	A5006679	CER CAPA 10nF 10% 16V0603 X7R RoHS G01	AA	4	C403,C405,C407,C409	Walsin	0603B103K160C*
3	Capacitor	A5006679	CER CAPA 10nF 10% 16V0603 X7R RoHS G01	AA	4	C403,C405,C407,C409	AVX	0603YC103KAT*A
3	Capacitor	A5006679	CER CAPA 10nF 10% 16V0603 X7R RoHS G01	AA	4	C403,C405,C407,C409	Yageo	CC0603K*X7R7BB103
3	Capacitor	A5006681	CER CAPA 1.2nF 5% 25V0603 X7R RoHS G01	AC	2	C413,C420	AVX	0603C122J2T*A
3	Capacitor	A5006681	CER CAPA 1.2nF 5% 25V0603 X7R RoHS G01	AC	2	C413,C420	Walsin	0603B122J250C*
3	Capacitor	A5006681	CER CAPA 1.2nF 5% 25V0603 X7R RoHS G01	AC	2	C413,C420	Yageo	CC0603J*X7R8BB122
3	Capacitor	A5006682	CER CAPA 1.5nF 1% 25V0603 NP0/COG RoHS G01	AA	2	C411,C412	Walsin	0603N152F250C*
3	Capacitor	A5006682	CER CAPA 1.5nF 1% 25V0603 NP0/COG RoHS G01	AA	2	C411,C412	Kemet	C0603C152F5GACTU
3	Capacitor	A5006682	CER CAPA 1.5nF 1% 25V0603 NP0/COG RoHS G01	AA	2	C411,C412	Kemet	C0603C152F3GACTU
3	Capacitor	A5006683	CER CAPA 680pF 1% 25V0603 NP0/COG RoHS G01	AA	2	C414,C421	Yageo	CC0603F*NP09BN681
3	Capacitor	A5006683	CER CAPA 680pF 1% 25V0603 NP0/COG RoHS G01	AA	2	C414,C421	Yageo	CC0603F*NP08BN681
3	Capacitor	A5006683	CER CAPA 680pF 1% 25V0603 NP0/COG RoHS G01	AA	2	C414,C421	AVX	06033A681FAT*A
3	Capacitor	A5006683	CER CAPA 680pF 1% 25V0603 NP0/COG RoHS G01	AA	2	C414,C421	Walsin	0603N681F250C*
3	Capacitor	A5006683	CER CAPA 680pF 1% 25V0603 NP0/COG RoHS G01	AA	2	C414,C421	Samsung	CL10C681FB8NNN*
3	Capacitor	A5006684	CER CAPA 220pF 1% 50V0603 NP0/COG RoHS G01	AA	1	C417	Murata	GCM1885C1H221FA16*
3	Capacitor	A5006684	CER CAPA 220pF 1% 50V0603 NP0/COG RoHS G01	AA	1	C417	Samsung	CL10C221FB8NNN*
3	Capacitor	A5006684	CER CAPA 220pF 1% 50V0603 NP0/COG RoHS G01	AA	1	C417	Walsin	0603N221F500C*
3	Capacitor	A5006684	CER CAPA 220pF 1% 50V0603 NP0/COG RoHS G01	AA	1	C417	Yageo	CC0603F*NP09BN221
3	Capacitor	A5006685	CER CAPA 100pF 1% 50V0603 NP0/COG RoHS G01	AA	1	C418	Walsin	0603N101F500C*
3	Capacitor	A5006685	CER CAPA 100pF 1% 50V0603 NP0/COG RoHS G01	AA	1	C418	Yageo	CC0603F*NP09BN101
3	Capacitor	A5006685	CER CAPA 100pF 1% 50V0603 NP0/COG RoHS G01	AA	1	C418	Murata	GCM1885C1H101FA16*
3	Capacitor	A5006685	CER CAPA 100pF 1% 50V0603 NP0/COG RoHS G01	AA	1	C418	Samsung	CL10C101FB8NNN*
3	Capacitor	A5006686	CER CAPA 27pF 1% 50V0603 NP0/COG RoHS G01	AA	1	Z7	Yageo	CC0603F*NP09BN270
3	Capacitor	A5006686	CER CAPA 27pF 1% 50V0603 NP0/COG RoHS G01	AA	1	Z7	Walsin	0603N270F500C*
3	Capacitor	A5006686	CER CAPA 27pF 1% 50V0603 NP0/COG RoHS G01	AA	1	Z7	Murata	GCM1885C1H270FA16*
3	Capacitor	A5006686	CER CAPA 27pF 1% 50V0603 NP0/COG RoHS G01	AA	1	Z7	Samsung	CL10C270FB8NNN*
3	Inductor	A5006688	INDUCTOR 150nH 5% 280mA0603 G01 YES	AA	1	L401	Würth Elektronik	744761215A
3	Inductor	A5006689	INDUCTOR 330nH 5% 150mA0603 G01 YES	AA	1	L402	Würth Elektronik	744761233A
3	Capacitor	A5006832	CER CAPA 10pF 5% 50V0603 NP0/COG RoHS G01	AA	1	Z1	Walsin	0603N100J500C*
3	Capacitor	A5006832	CER CAPA 10pF 5% 50V0603 NP0/COG RoHS G01	AA	1	Z1	Samsung	CL10C100JB8NNN*
3	Resistor	A5006863	RES 750u 1% 100mW MET0603 100ppm/K G01	AA	1	Z4	Yageo	RC0603FR-**-750RL
3	Resistor	A5006863	RES 750u 1% 100mW MET0603 100ppm/K G01	AA	1	Z4	Walsin	WR06X7500F*L
3	Resistor	A5006863	RES 750u 1% 100mW MET0603 100ppm/K G01	AA	1	Z4	KOA Speer Electronics	RK73H1JT**7500F
3	Capacitor	A5007037	CER CAP 47pF 1% 50V NP00603 RoHS	AA	2	Z2,Z5	Samsung	CL10C470FB8NNN*
3	Capacitor	A5007037	CER CAP 47pF 1% 50V NP00603 RoHS	AA	2	Z2,Z5	Walsin	0603N470F500C*
3	Capacitor	A5007037	CER CAP 47pF 1% 50V NP00603 RoHS	AA	2	Z2,Z5	AVX	06035A470FAT*A
3	Integrated Circuit	A5009400	IC TRF7964A QFN32Tuner -25CEL 85CEL RoHS	AA	1	U401	Texas Instruments	TRF7964ARHB*

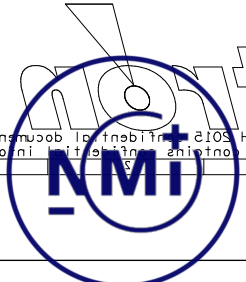


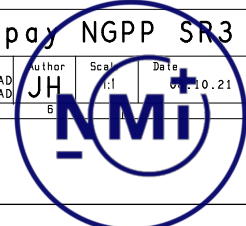
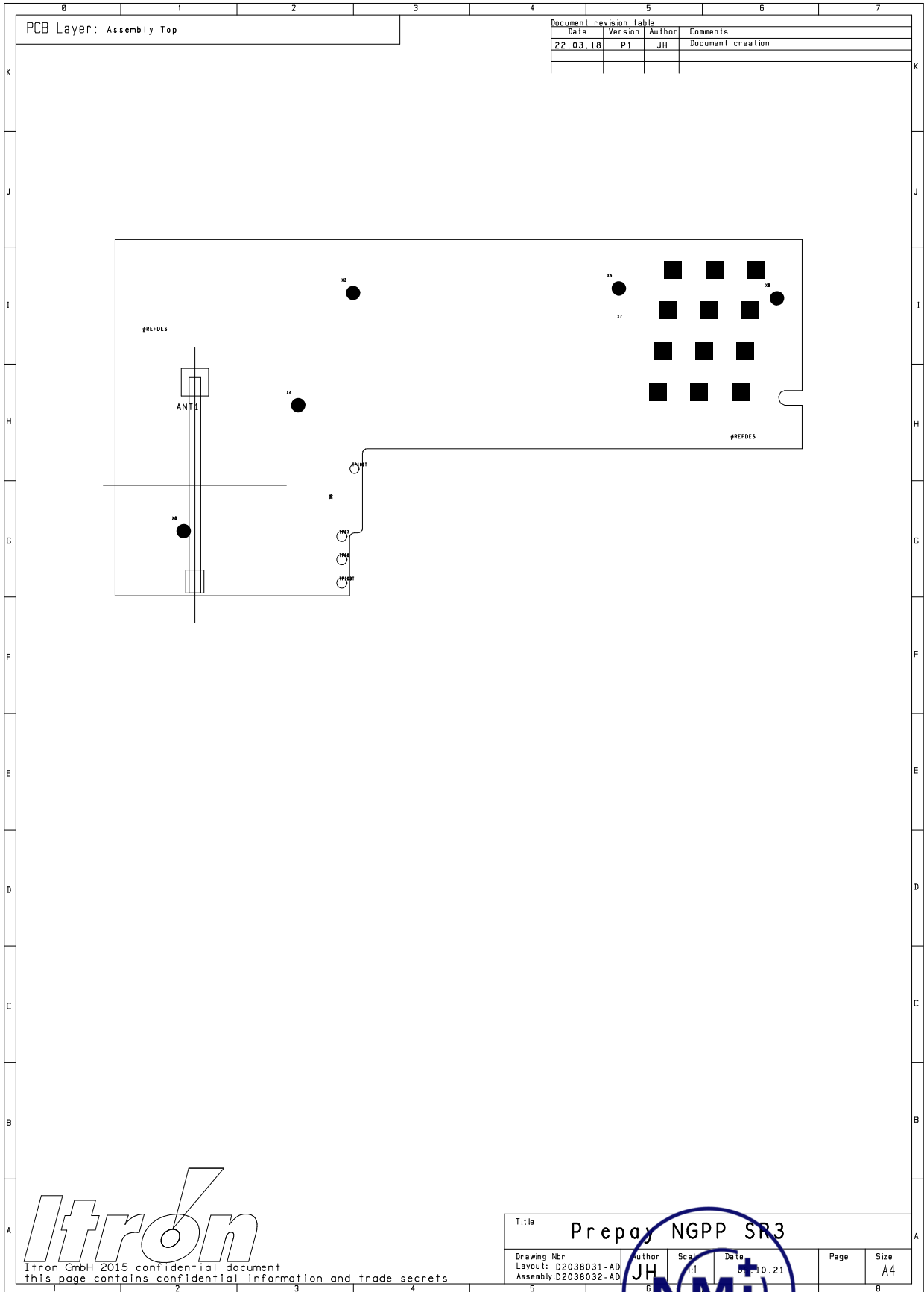
PCB Layer: Assembly Bottom			
Document revision table			
Date	Version	Author	Comments
25.03.18	01	JH	Document creation



Title: Prcbyp Npp R3			
Drawing Nr:	Author:	Date:	Page:
D2038031-AD	JH	08.10.21	04
Layout:	Scale:		
D2038032-AD	1:1		
Assembly:			
D2038032-AD			

This page contains confidential information and trade secrets





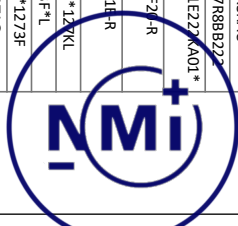
BOM Level	Item Class	Item Number	Item Description	Revision	BOM Quantity	Reference Designators	Manufacturer	Manufacturer Part Number
3	PCBA	A5008357	BOARD Prepp NGPP SR3 NFC,Flash & LiMNO2	AE	1	U301	Texas Instruments	TP561291DRV
5	Integrated Circuit	A5000880	TP561291SO 6 RFG -40CEI 85CEI	AA	1	U301	Texas Instruments	TP561291DRV
5	Capacitor	A5001651	CER CAPA 1uF 10% 16V1206 X7R RoHS	AB	5	C302,C303,C304,C305,C306	Walsin	1206B105K160C*
5	Capacitor	A5001651	CER CAPA 1uF 10% 16V1206 X7R RoHS	AB	5	C302,C303,C304,C305,C306	AVX	1206VCI05KAT*
5	Inductor	A5006357	INDUCTOR 3.3uH 20% 400mASWD G01 YES	AA	1	L301	Würth Elektronik eiSos GmbH & Co	74479787233A
5	Resistor	A5001815	RES 100k 1% 63mW MET0402 100PPM/K G01	AB	3	R115,R116,R117	KOA Speer Electronics	RK73HLET**100F
5	Resistor	A5001815	RES 100k 1% 63mW MET0402 100PPM/K G01	AB	3	R115,R116,R117	Walsin	WR04X100F1*
5	Capacitor	A5001893	CER CAPA 100nF 10% 16V0603 X7R RoHS G01	AB	1	C113	AVX	0603C104KAT*
5	Capacitor	A5001893	CER CAPA 100nF 10% 16V0603 X7R RoHS G01	AB	1	C113	Walsin	0603B104K160C*
5	Integrated Circuit	A5009141	SPI Flash Memory 16Mbit/mn. SO8 150" RoHS G01	AB	1	U102	Macronix	MX25V1606FM1103
5	Integrated Circuit	A5009141	SPI Flash Memory 16Mbit/mn. SO8 150" RoHS G01	AB	1	U102	Adesto Technologies	AT25SF161B-SSH8**
5	Integrated Circuit	A5009141	SPI Flash Memory 16Mbit/mn. SO8 150" RoHS G01	AB	1	U102	ISSI	IS25LP016D-JNLE
5	Resistor	A206009	Res 22u 1% 1W MET 2512100PPM/K G01	AB	1	R16	Panasonic	ERJ1TF22R0*
5	Resistor	A206009	Res 22u 1% 1W MET 2512100PPM/K G01	AB	1	R16	ASJ	CR63-22R0F*
5	Resistor	A206009	Res 22u 1% 1W MET 2512100PPM/K G01	AB	1	R16	Vishay	GRCW251222R0FK****
5	Resistor	A206009	Res 22u 1% 1W MET 2512100PPM/K G01	AB	1	R16	Yageo	RC2512F**22RL
5	Diode	A206523	TRANSIENT SUPPRES. DIODEFESD5Z3 3 SOD523 3.3V	AB	3	D101,D116,D117	NXP Semiconductors	PESD5Z3 3
5	Diode	A206523	TRANSIENT SUPPRES. DIODEFESD5Z3 3 SOD523 3.3V	AB	3	D101,D116,D117	On Semiconductor	ESD5Z3.3T*G
5	Resistor	A206548	RES 120u 1% 100mW MET0603 100PPM/K	AB	1	R161	Yageo	RC0603FR**120R
5	Resistor	A206548	RES 120u 1% 100mW MET0603 100PPM/K	AB	1	R161	Walsin	WR06X1200F*1
5	Capacitor	A209674	CER CAPA 10pF 5% 50V0402 NP0 RoHS G01	AB	1	C116	Yageo	CC0402J1NP09B1100
5	Capacitor	A209674	CER CAPA 10pF 5% 50V0402 NP0/C0G RoHS G01	AB	1	C116	AVX	04025A1001AT2A
5	Capacitor	A209674	CER CAPA 10pF 5% 50V0402 NP0/C0G RoHS G01	AB	1	C116	Murata	GRM1555C1H100JA01*
5	Capacitor	A209674	CER CAPA 10pF 5% 50V0402 NP0/C0G RoHS G01	AB	1	C116	Walsin	0402N100J500C*
5	Capacitor	A5000372	CER CAP 9.1pF +/-0.1 50V0402 NP0 RoHS G01	AB	1	C115	Murata	GRM1555C1H9R1BA01*
5	Capacitor	A5000372	CER CAP 9.1pF +/-0.1 50V0402 NP0 RoHS G01	AB	1	C115	AVX	04025A9R1BA12A
5	Capacitor	A5000372	CER CAP 9.1pF +/-0.1 50V0402 NP0 RoHS G01	AB	1	C115	Walsin	0402N9R1B500C*
5	Optoelectronic	A5001467	VISUAL LIGHT EMIT. DIODE5V 30mA Rev. Guil. W White	AA	1	D118	Everlight	65-21/TZ-KW2X1F/2AA
5	Resistor	A5001822	RES 0R 5% 100mW MET0603 200PPM/K G01	AA	2	L112	YAGEO	RC0603FR**0RL
5	Resistor	A5001822	RES 0R 5% 100mW MET0603 200PPM/K G01	AA	2	L112	WALSIN	WR06X000_P*1
5	Resistor	A5001822	RES 0R 5% 100mW MET0603 200PPM/K G01	AA	2	L112	KOA Speer Electronics	RK73Z1JT**
5	Capacitor	A5001648	CER CAPA 470nF 10% 16V0805 X7R	AB	1	C112	Walsin	0805B474K160C*
5	Capacitor	A5001648	CER CAPA 470nF 10% 16V0805 X7R	AB	1	C112	AVX	0805C474KAT*A
5	Capacitor	A5001648	CER CAPA 470nF 10% 16V0805 X7R	AB	1	C112	Kemet	C0805C474K4RA**



5	Capacitor	A5001651	CFR CAPA 1uF 10% 16V1206 X7R RoHS	AB	3	C106 C501 C502	Walsin	1206B105K160C*
5	Capacitor	A5001651	CFR CAPA 1uF 10% 16V1206 X7R RoHS	AB	3	C106 C501 C502	AVX	1206V C105KAT*A
5	Capacitor	A5001662	CFR CAPA 33pF 5% 50V0402 NPO RoHS G01	AB	1	C138	Walsin	0402N330J500C*
5	Capacitor	A5001662	CFR CAPA 33pF 5% 50V0402 NPO RoHS G01	AB	1	C138	AVX	04025A330LAT*A
5	Resistor	A5001815	RES 100k 1% 63mW MET0402 100PPM/K G01	AB	1	R305	KOA Speer Electronics	RK73H1ET**1003F
5	Resistor	A5001815	RES 100k 1% 63mW MET0402 100PPM/K G01	AB	1	R305	Walsin	WR04X1003F*F
5	Resistor	A5001816	RES 10k 1% 63mW MET0402 100PPM/K G01	AB	1	R166	Walsin	WR04X1002F*F
5	Resistor	A5001816	RES 10k 1% 63mW MET0402 100PPM/K G01	AB	1	R166	KOA Speer Electronics	RK73H1ET**1002F
5	Resistor	A5001817	RES 47k 1% 63mW MET0402 100PPM/K G01	AB	6	R166 R101, R105, R106, R113, R113A	KOA Speer Electronics	RK73H1ET**4702F
5	Resistor	A5001817	RES 47k 1% 63mW MET0402 100PPM/K G01	AB	6	R166 R101, R105, R106, R113, R113A	Walsin	WR04X4702F*F
5	Resistor	110-100126	Ferrite Bead (High Frequency) 0603, 700 MHz 242862160, 0.8 Ohm	AA	1	Z601	Wurth	742862160
5	Resistor	A5001823	RES 470k 1% 63mW MET0402 100PPM/K G01	AB	1	R185	Yageo	RC0402FR**470KL
5	Resistor	A5001823	RES 470k 1% 63mW MET0402 100PPM/K G01	AB	1	R185	KOA Speer Electronics	RK73H1ET**4703F
5	Resistor	A5001823	RES 470k 1% 63mW MET0402 100PPM/K G01	AB	1	R185	Walsin	WR04X4703F*F
5	Resistor	A5001824	RES 1k 1% 63mW MET0402 100PPM/K G01	AB	9	R123, R125, R143, R144, R145, R 146, R160, R162, R164	Walsin	WR04X1001F*F
5	Resistor	A5001824	RES 1k 1% 63mW MET0402 100PPM/K G01	AB	9	R123, R125, R143, R144, R145, R 146, R160, R162, R164	KOA Speer Electronics	RK73H1ET**1001F
5	Resistor	A5001829	RES 5.6k 1% 63mW MET0402 100PPM/K G01	AB	1	R306	KOA Speer Electronics	RK73H1ET**5601F
5	Resistor	A5001829	RES 5.6k 1% 63mW MET0402 100PPM/K G01	AB	1	R306	Walsin	WR04X5601F*F
5	Resistor	A5001829	RES 5.6k 1% 63mW MET0402 100PPM/K G01	AB	1	R306	Yageo	RC0402FR**56KL
5	Resistor	A5001837	RES 560u 1% 100mW MET0603 100PPM/K G01	AB	1	R182	Walsin	WR06X5600F*F
5	Resistor	A5001837	RES 560u 1% 100mW MET0603 100PPM/K G01	AB	1	R182	KOA Speer Electronics	RK73H1JT**5600F
5	Resistor	A5001838	RES 220u 1% 250mW MET1206 100PPM/K G01	AB	4	R26, R27, R28, R29	Walsin	WR12X2200F*F
5	Resistor	A5001838	RES 220u 1% 250mW MET1206 100PPM/K G01	AB	4	R26, R27, R28, R29	Yageo	RC1206FR**220RL
5	Resistor	A5001838	RES 220u 1% 250mW MET1206 100PPM/K G01	AB	4	R26, R27, R28, R29	KOA Speer Electronics	RK73H1B1**2200F
5	Capacitor	A5001893	CFR CAPA 100nF 10% 16V0603 X7R RoHS G01	AB	2	C201, C503, C604	Walsin	0603B104K160C*
5	Capacitor	A5001893	CFR CAPA 100nF 10% 16V0603 X7R RoHS G01	AB	2	C201, C503, C604	AVX	0603C104KAT*A
5	Capacitor	A5001896	CFR CAPA 470pF 10% 50V0402 X7R RoHS G01	AB	5	C105, C117, C118, C119, C136	Walsin	0402B471K500C*
5	Capacitor	A5001896	CFR CAPA 470pF 10% 50V0402 X7R RoHS G01	AB	5	C105, C117, C118, C119, C136	Kemet	C0402C471K5RAC*
5	Capacitor	A5001896	CFR CAPA 470pF 10% 50V0402 X7R RoHS G01	AB	5	C105, C117, C118, C119, C136	AVX	04025C471KAT*A
5	Capacitor	A5001896	CFR CAPA 470pF 10% 50V0402 X7R RoHS G01	AB	5	C105, C117, C118, C119, C136	Yageo	CC0402K*X7R98B471
5	Capacitor	A5001897	CFR CAPA 100pF 5% 16V0402 NPO RoHS G01	AB	1	C301, C602, C603	Murata	GRM1555C1H101J01*
5	Capacitor	A5001897	CFR CAPA 100pF 5% 16V0402 NPO RoHS G01	AB	1	C301, C602, C603	AVX	0402YA101JAT*A
5	Capacitor	A5001897	CFR CAPA 100pF 5% 16V0402 NPO RoHS G01	AB	1	C301, C602, C603	Walsin	0402N101J60C*
5	Capacitor	A5001897	CFR CAPA 100pF 5% 16V0402 NPO RoHS G01	AB	1	C301, C602, C603	Yageo	CC0402*1NPO98N101
5	Capacitor	100-100292	CFR CAPA 12pF 5% 16V0603 NPO RoHS G01	AA	3	D601, D602, D603	Johanson	251R145120V4*



5	Capactor	100-100292	CER CAPA 12PF 5% 50V 0603 COG/NPO	AA	3	6601, D602, D603	Kemet	C0603C12015GACTU
5	Capactor	A5001900	CER CAPA 2.2nF 10% 25V0402 X7R RoHS G01	AB	1	C111	AVX	04023C22K2KAT*A
5	Capactor	A5001900	CER CAPA 2.2nF 10% 25V0402 X7R RoHS G01	AB	1	C111	Walsin	0402B222K250C*
5	Capactor	A5001900	CER CAPA 2.2nF 10% 25V0402 X7R RoHS G01	AB	1	C111	Kemet	C0402C22K3RAC*
5	Capactor	A5001900	CER CAPA 2.2nF 10% 25V0402 X7R RoHS G01	AB	1	C111	Yageo	CC0402KX7R88B2Z
5	Capactor	A5001900	CER CAPA 2.2nF 10% 25V0402 X7R RoHS G01	AB	1	C111	Murata	GRM15SR71E222KA01*
5	Crystal And Oscillator	A5001995	CRYSTAL UNIT 32.768KHz-40C +85C +-20ppm 0.01uW	AA	1	Y101	Seiko Instruments	SSPT7FL-6PF2-R
5	Connector	A5002314	CONNEC 1x1x1x1.27mm SMF5n PHBrze TOP G01 RoHS	AB	1	J501	GTK UK	FHSS11T8-01E-R
5	Resistor	A5003048	RES 127Ku 1% 63mW MET0402 100ppm G01 RoHS	AB	1	R302	Yageo	RC0402FR**1ZVKL
5	Resistor	A5003048	RES 127Ku 1% 63mW MET0402 100ppm G01 RoHS	AB	1	R302	Walsin	WR04X1273F*1L
5	Resistor	A5003048	RES 127Ku 1% 63mW MET0402 100ppm G01 RoHS	AB	1	R302	KOA Speer Electronics	RK73H1ET**1273F
5	Transistor	A5003408	Dual NPN BC847BD45V 100ma SOT1363 RoHS	AA	1	Q115	On Semiconductor	BC847BDW1T1G
5	Transistor	A5003409	TRANSISTOR NPN BC846BLT165V 100ma SOT23 RoHS	AA	1	Q116	On Semiconductor	BC846BLT1G
5	Transistor	A5003413	Single PMOS FDV304P -25V -460ma SOT23 RoHS	AB	1	Q103	On Semiconductor	FDV304P
5	Transistor	A5003413	Single PMOS FDV304P -25V -460ma SOT23 RoHS	AB	1	Q103	Rohm	RS0002P03T316
5	Hardware And Fastener	A5003851	IN-LINE_CONN 2x3 HH214H2.54mm THF Au PHBrze TOP	AA	1	J3	GTK UK	F214H-2x03SMH1-D Rev. 1.0
5	Optoelectronic	A5004315	IR-PHOTO TRANSISTOR 90°daylight filter RoHS G01	AA	1	Q117	Everlight	PT12-21B/2D
5	Optoelectronic	A5004316	IR-LED right angle 1x3mm5v 50ma 940nm clear G01	AA	1	D115	Everlight	IR12-21C/T88
5	Hardware And Fastener	A5005791	FUSE FAST 500ma 63V 12505s - 1206 E10480 YES	AA	1	F1	Utefluse	0437 .500 W R
5	Magnet	A5006192	RIGID_PCB d1 F#4 1.6mmPrepay NGPP SR3	AD	1	PC8	sourcing strategy: ASK 70% and Digital 30%.	
5	Resistor	A5006605	RES 3.3Ku 1% 63mW MET0402 100ppm/K G01	AA	1	R163	Walsin	WR04X3301F*1L
5	Resistor	A5006605	RES 3.3Ku 1% 63mW MET0402 100ppm/K G01	AA	1	R163	KOA Speer Electronics	RK73H1ET**3301F
5	Hardware And Fastener	A5007154	CONNECTOR 2PINS SLIDE SMT2mm Sn BRASS SIDE RoHS	AA	1	J1	JST	S2B-PH-SM4-TB
5	Resistor	A5007395	RES 1Ku 1% 250mW MET1206 100ppm/K RoHS G02	AA	2	R24, R25	Walsin	WR12X1001F*1L
5	Resistor	A5007395	RES 1Ku 1% 250mW MET1206 100ppm/K RoHS G02	AA	2	R24, R25	KOA Speer Electronics	RK73H2BT**1001F
5	Resistor	A5007395	RES 1Ku 1% 250mW MET1206 100ppm/K RoHS G02	AA	2	R24, R25	Yageo	RC1206FR**1KL
5	Diode	A5007990	SUPP. DIODE 3V3 quad comanode SOT1353 G01 RoHS	AA	1	D501	Texas Instruments	TPD4E1U06DCKR
5	Diode	A5007990	SUPP. DIODE 3V3 quad comanode SOT1353 G01 RoHS	AA	1	D501	Texas Instruments	TPD4E1U06DCKR
5	Diode	A5007990	SUPP. DIODE 3V3 quad comanode SOT1353 G01 RoHS	AA	1	D501	NXP Semiconductors	PESD3V3L4UG
5	Diode	A5007992	SUPP. DIODE 3V3 dual comanode SOT1323 G01 RoHS	AA	1	D502	Texas Instruments	TPD2E2U060DCKRQ1
5	Diode	A5007992	SUPP. DIODE 3V3 dual comanode SOT1323 G01 RoHS	AA	1	D502	NXP Semiconductors	PESD5V0L2UU
5	Integrated Circuit	A5009397	MICROC. RSF1046GGB168t 384K QFP48 RoHS	AA	1	U101	RENESAS ELECTRONICS CORPORATION	RSF1046GGBF**0
5	Integrated Circuit	A5009398	IC TPS22917 SOT23-6AS -40CEL 125CEL RoHS	AA	2	U302, U303	Texas Instruments	TPS22917DBV*
5	Legacy Items	F205762	BOM COMP Motor driverselection management	AA	0			



5	Resistor	A5001835	RES 220R 1% 100nmw MET0603 100PPM/K/G01	AB	2	Z602,Z603	Yageo	RC0603FR-07220RL
5	Resistor	A5001835	RES 220R 1% 100nmw MET0603 100PPM/K/G01	AB	2	Z602,Z603	WALSIN	WR06X2200FTL
5	Resistor	A5001835	RES 220R 1% 100nmw MET0603 100PPM/K/G01	AB	2	Z602,Z603	KOA Speer Electronics	RK/3HJLT**2200F
4	Legacy Items	F205678	BOM HDW Prepara NGPPRS3 option NFC Interface	AA	1			
5	Capactor	A203473	CER CAPA 10uF 10% 10V1206 X7R G01	AE	2	C422,C423	Murata	GRM31CR71A106K*
5	Capactor	A203473	CER CAPA 10uF 10% 10V1206 X7R G01	AE	2	C422,C423	Samsung	CL31B106RHY9ME
5	Capactor	A203473	CER CAPA 10uF 10% 10V1206 X7R G01	AE	2	C422,C423	Yageo	CC1206K*X7R88B106
5	Capactor	A203473	CER CAPA 10uF 10% 10V1206 X7R G01	AE	2	C422,C423	Murata	GCM13CR71D106K*
5	Resistor	A5001816	RES 10ku 1% 63mw MET0402 100PPM/K/G01	AB	2	R402,R403	Kemet	CL206C106K88A*
5	Resistor	A5001816	RES 10ku 1% 63mw MET0402 100PPM/K/G01	AB	2	R402,R403	Walsin	WR04X1002F
5	Capactor	A5002888	CER CAPA 15pF 5% 50V0402 NP0 R0HS G01	AB	2	C401,C402	KOA Speer Electronics	RK/3HJLT**1020F
5	Capactor	A5002888	CER CAPA 15pF 5% 50V0402 NP0 R0HS G01	AB	2	C401,C402	Murata	GCMI555C1H150M116
5	Capactor	A5002888	CER CAPA 15pF 5% 50V0402 NP0 R0HS G01	AB	2	C401,C402	Walsin	0402N150I500C*
5	Capactor	A5003437	CER CAPA 2.2uF 10% 16V1206 X7R R0HS G01	AB	4	C404,C406,C408,C410	AVX	04025A150LAT*A
5	Capactor	A5003437	CER CAPA 2.2uF 10% 16V1206 X7R R0HS G01	AB	4	C404,C406,C408,C410	Murata	GRM31MR71C225K435*
5	Capactor	A5003437	CER CAPA 2.2uF 10% 16V1206 X7R R0HS G01	AB	4	C404,C406,C408,C410	Walsin	1206B225K160C*
5	Capactor	A5003437	CER CAPA 2.2uF 10% 16V1206 X7R R0HS G01	AB	4	C404,C406,C408,C410	Yageo	CC1206K*X7R/B225
5	Capactor	A5003437	CER CAPA 2.2uF 10% 16V1206 X7R R0HS G01	AB	4	C404,C406,C408,C410	AVX	1206/C225KAT*A
5	RF Filter	A5006356	EMC FILTER FERRI 30MHz1206 2 G01 YES	AA	1	FL401	Würth Elektronik eiSos GmbH & Co	74279219
5	Crystal And Oscillator	A5006583	OSCILLATOR 27.12MHz-25CEI 85CEI 20ppm SMD	AA	1	Y401	GEYER ELECTRONIC e.K.	12.60118
5	Crystal And Oscillator	A5006583	OSCILLATOR 27.12MHz-25CEI 85CEI 20ppm SMD	AA	1	Y401	Jauch	Q 27.120-JXS32 ...
5	Crystal And Oscillator	A5006583	OSCILLATOR 27.12MHz-25CEI 85CEI 20ppm SMD	AA	1	Y401	NDK	EXS00A-C510768
5	Capactor	A5006679	CER CAPA 10uF 10% 16V0603 X7R R0HS G01	AA	4	C403,C405,C407,C409	Yageo	CC0603K*X7R/B103
5	Capactor	A5006679	CER CAPA 10uF 10% 16V0603 X7R R0HS G01	AA	4	C403,C405,C407,C409	AVX	0603/C103KAT*A
5	Capactor	A5006679	CER CAPA 10uF 10% 16V0603 X7R R0HS G01	AA	4	C403,C405,C407,C409	Walsin	0603B103K160C*
5	Capactor	A5006679	CER CAPA 10uF 10% 16V0603 X7R R0HS G01	AA	4	C403,C405,C407,C409	Murata	GRM188R71E103KA01*
5	Capactor	A5006681	CER CAPA 1.2nF 5% 25V0603 X7R R0HS G01	AC	2	C413,C420	Walsin	0603B122J250C*
5	Capactor	A5006681	CER CAPA 1.2nF 5% 25V0603 X7R R0HS G01	AC	2	C413,C420	AVX	0603C122JAT*A
5	Capactor	A5006681	CER CAPA 1.2nF 5% 25V0603 X7R R0HS G01	AC	2	C413,C420	Yageo	CC0603*X7R88B122
5	Capactor	A5006682	CER CAPA 1.5nF 1% 25V0603 NP0/COG R0HS G01	AA	2	C411,C412	Walsin	0603N15F250C*
5	Capactor	A5006682	CER CAPA 1.5nF 1% 25V0603 NP0/COG R0HS G01	AA	2	C411,C412	Walsin	0603C15F25GACTU
5	Capactor	A5006682	CER CAPA 1.5nF 1% 25V0603 NP0/COG R0HS G01	AA	2	C411,C412	Kemet	C0603C15F25GACTU
5	Capactor	A5006682	CER CAPA 1.5nF 1% 25V0603 NP0/COG R0HS G01	AA	2	C411,C412	Yageo	CC0603F*NP09BN681
5	Capactor	A5006683	CER CAPA 680pF 1% 25V0603 NP0/COG R0HS G01	AA	2	C414,C421	Samsung	CL106-681FB8NNN*
5	Capactor	A5006683	CER CAPA 680pF 1% 25V0603 NP0/COG R0HS G01	AA	2	C414,C421	Walsin	0603N681F250C*
5	Capactor	A5006683	CER CAPA 680pF 1% 25V0603 NP0/COG R0HS G01	AA	2	C414,C421	AVX	0603A681FAT*A
5	Capactor	A5006683	CER CAPA 680pF 1% 25V0603 NP0/COG R0HS G01	AA	2	C414,C421	Yageo	CC0603F*NP08BN681
5	Capactor	A5006684	CER CAPA 220pF 1% 50V0603 NP0/COG R0HS G01	AA	1	C417	Murata	GCMI1885CH22JFA16*
5	Capactor	A5006684	CER CAPA 220pF 1% 50V0603 NP0/COG R0HS G01	AA	1	C417	Yageo	CC0603F*NP09BN221
5	Capactor	A5006684	CER CAPA 220pF 1% 50V0603 NP0/COG R0HS G01	AA	1	C417	Walsin	0603N22JF500C*
5	Capactor	A5006684	CER CAPA 220pF 1% 50V0603 NP0/COG R0HS G01	AA	1	C417	Samsung	CL10C221FB8NNN*



5	Capacitor	A5006685	CER CAPA 100pF 1% 50V/0603 NPO/COG Rohs G01	AA	1	C418	Yageo	CC0603F*NP09BN*01
5	Capacitor	A5006685	CER CAPA 100pF 1% 50V/0603 NPO/COG Rohs G01	AA	1	C418	Walsin	0603N101F500C*
5	Capacitor	A5006685	CER CAPA 100pF 1% 50V/0603 NPO/COG Rohs G01	AA	1	C418	Samsung	CL10C101FB8NN*
5	Capacitor	A5006685	CER CAPA 100pF 1% 50V/0603 NPO/COG Rohs G01	AA	1	C418	Murata	GCML885CIH101FA16*
5	Capacitor	A5006686	CER CAPA 27pF 1% 50V/0603 NPO/COG Rohs G01	AA	1	Z7	Murata	GCML1885CIH270FA16*
5	Capacitor	A5006686	CER CAPA 27pF 1% 50V/0603 NPO/COG Rohs G01	AA	1	Z7	Walsin	0603N270F500C*
5	Capacitor	A5006686	CER CAPA 27pF 1% 50V/0603 NPO/COG Rohs G01	AA	1	Z7	Yageo	CC0603F*NP09BN270
5	Capacitor	A5006686	CER CAPA 27pF 1% 50V/0603 NPO/COG Rohs G01	AA	1	Z7	Samsung	CL10C270FB8NN*
5	Inductor	A5006688	INDUCTOR 150nH 5% 280mA/0603 G01 YES	AA	1	L401	Würth Elektronik eisos GmbH & Co	744761215A
5	Inductor	A5006689	INDUCTOR 330nH 5% 150mA/0603 G01 YES	AA	1	L402	Würth Elektronik eisos GmbH & Co	744761233A
5	Capacitor	A5006832	CER CAPA 10pF 5% 50V/0603 NPO/COG Rohs G01	AA	1	Z1	Samsung	CL10C1001B8NNN*
5	Capacitor	A5006832	CER CAPA 10pF 5% 50V/0603 NPO/COG Rohs G01	AA	1	Z1	Walsin	0603N1001500C*
5	Resistor	A5006863	RES 750u 1% 100mW/MET0603 100ppm/K G01	AA	1	Z4	Yageo	RC0603FR**750RL
5	Resistor	A5006863	RES 750u 1% 100mW/MET0603 100ppm/K G01	AA	1	Z4	Walsin	WR06X7500F*1
5	Resistor	A5006863	RES 750u 1% 100mW/MET0603 100ppm/K G01	AA	1	Z4	KOA Speer Electronics	RK73HJLT**7500F
5	Capacitor	A5007037	CER CAP 47pF 1% 50V NP00603 Rohs	AA	2	Z2,Z5	Walsin	0603N470F500C*
5	Capacitor	A5007037	CER CAP 47pF 1% 50V NP00603 Rohs	AA	2	Z2,Z5	AVX	0603S5470FA1*A
5	Capacitor	A5007037	CER CAP 47pF 1% 50V NP00603 Rohs	AA	2	Z2,Z5	Samsung	CL10C470FB8NNN*
5	Integrated Circuit	A5009400	IC TRF7964A OFN3ZTuner -25CCEL 85CCEL Rohs	AA	1	U401	Texas Instruments	TRF7964ARRB*

